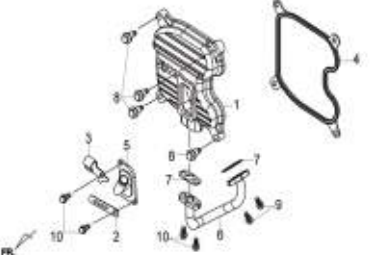
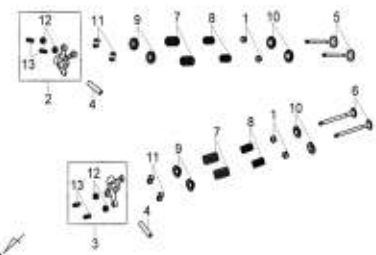
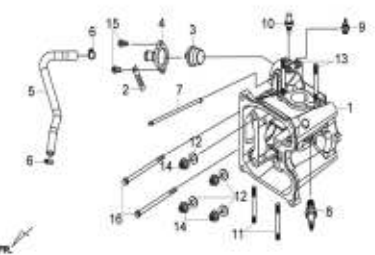
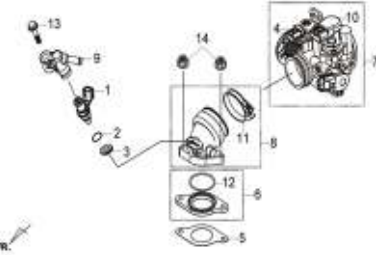

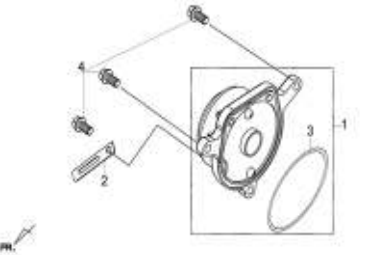
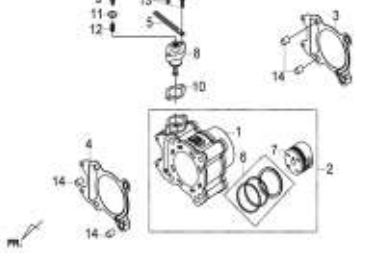
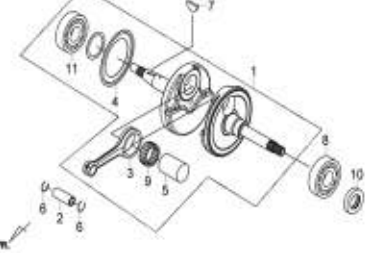
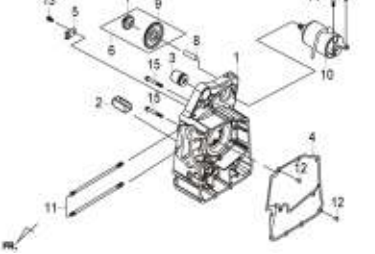
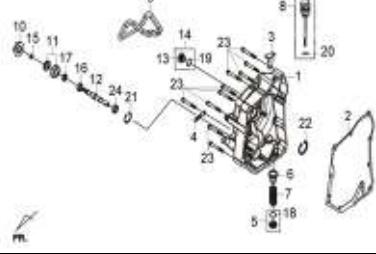
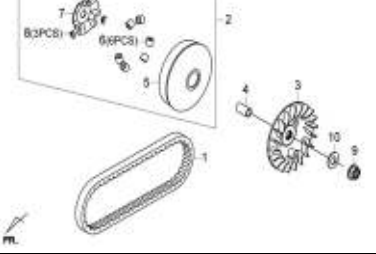
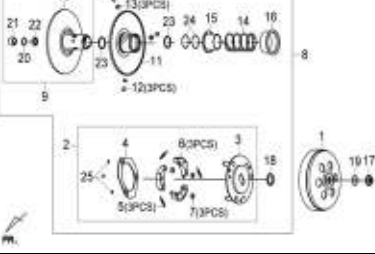

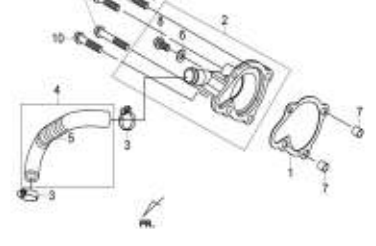
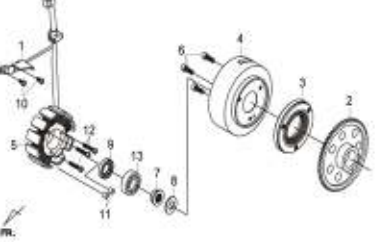


N O	MODEL	LN25W1-6C(JOYMAX250 CKD TO 馬來西亞)			
	DATE	2013/04	2013/05	2013/05	
	BASIC COLOR	W	BK	GY	
	COLOR CODE	WH-300P	BK-231S	GY-517S	
	Description	Parts Number	WHITE	BLACK	GRAY
1	RR. CAST WHEEL COMP	42601-L3A-000	KB	KB	KB
2	RR.CALIPER ASSY	43100-L3A-000	SH	SH	SH
3	FR. CAST WHEEL COMP	44601-L3A-000	●	●	●
4	BATTERY COVER	50326-L3A-000	IL	IL	IL
5	R. STEP BAR SET	5071A-L3A-000	IE	IE	IE
6	L. STEP BAR SET	5071B-L3A-000	IE	IE	IE
7	RR. FORK ASSY	5210A-L3A-000	IL	IL	IL
8	RR. CUSHION ASSY	52400-L3A-000	KB	KB	KB
9	UP HANDLE COVER A	53204-L3A-000	QU	KX	IP
10	UP HANDLE COVER B	53205-L3A-000	KA	KA	KA
11	METER PANEL	53208-L3A-000	KA	KA	KA
12	METER VISOR SUB ASSY	5320G-L3A-000	IL	IL	IL
13	FR. FENDER	61100-L3A-000	QU1	KX2	IP4
14	FR. UNDER SPOILER	64300-L3A-001	IL	IL	IL
15	FR COVER	64301-L3A-000	QU	KX	IP
16	R. SIDE SPOILER	64304-L3A-000	QU	KX	IP
17	L. SIDE SPOILER	64305-L3A-000	QU	KX	IP
18	FLOOR PANEL	64310-L3A-000	KA	KA	KA
19	FUEL CAP LID	64311-L3A-000	KA	KA	KA
20	FRAME NUMBER LID	64313-F3C-000	KA	KA	KA
21	R. FLOOR GARNISH	64313-L3A-000	IL	IL	IL
22	L. FLOOR GARNISH	64314-L3A-000	IL	IL	IL
23	R. FLOOR MAT A	64321-L3A-000	KA	KA	KA
24	L. FLOOR MAT A	64322-L3A-000	KA	KA	KA
25	R. FLOOR MAT B	64323-L3A-000	KA	KA	KA
26	L. FLOOR MAT B	64324-L3A-000	KA	KA	KA
27	WIND SCREEN SET	6710A-L3A-000	IL	IL	IL
28	RR. BACK SEAT ASSY	77400-L3A-000	KA	KA	KA
29	RR. FENDER	80100-L3A-000	KA	KA	KA
30	RR. MUDGUARD	80106-L3A-000	KA	KA	KA
31	INNER BOX	81131-L3A-000	KA	KA	KA
32	MAIN SW. COVER	81132-L3A-000	KA	KA	KA
33	INNER BOX LID	81141-L3A-000	IL	IL	IL
34	AIR DUCT COVER	81152-L3A-000	KA	KA	KA
35	R. RR. CARRIER	81200-L3A-000	IL	IL	IL
36	L. RR. CARRIER	81210-L3A-000	IL	IL	IL
37	LUGGAGE BOX ASSY	8125A-L3A-010	KA	KA	KA
38	R. BODY COVER	83500-L3A-000	QU	KX	IP
39	R. BODY COVER EMBLEM	87126-L2A-000	●	●	●
40	I MARK	87129-HML-000	●	●	●
41	R. SIDE COVER SET	8352G-L3A-000	QU	KX	IP
42	SYM MARK (90 STRIPE)	87121-A5W-000	T2	T3	T3
43	L. BODY COVER	83600-L3A-000	QU	KX	IP
44	L. BODY COVER EMBLEM	87127-L2A-000	●	●	●
45	L. SIDE COVER SET	8362G-L3A-000	QU	KX	IP
46	R. BACK MIRROR COMP-WITHOUT WINKER	88110-L3A-008	QU	KX	IP
47	R. BACK MIRROR SET	8811A-L3A-007	QU	KX	IP
48	L. BACK MIRROR COMP-WITHOUT WINKER	88120-L3A-008	QU	KX	IP
49	L. BACK MIRROR SET	8812A-L3A-007	QU	KX	IP

UPDATED : 13-11-2015

N O	MODEL	LN25W1-6C(JOYMAX250 CKD TO 馬來西亞)		
	DATE	2013/10		
	BASIC COLOR	GY1		
	COLOR CODE	GY-7450U		
	Description	Parts Number	MAT GRAY	
1	RR. CAST WHEEL COMP	42601-L3A-000	KB	
2	RR.CALIPER ASSY	43100-L3A-000	SH	
3	FR. CAST WHEEL COMP	44601-L3A-000	•	
4	BATTERY COVER	50326-L3A-000	IL	
5	R. STEP BAR SET	5071A-L3A-000	IE	
6	L. STEP BAR SET	5071B-L3A-000	IE	
7	RR. FORK ASSY	5210A-L3A-000	IL	
8	RR. CUSHION ASSY	52400-L3A-000	KB	
9	UP HANDLE COVER A	53204-L3A-000	IL	
10	UP HANDLE COVER B	53205-L3A-000	KA	
11	METER PANEL	53208-L3A-000	KA	
12	METER VISOR SUB ASSY	5320G-L3A-000	IL	
13	FR. FENDER	61100-L3A-000	IL5	
14	FR. UNDER SPOILER	64300-L3A-001	IL	
15	FR COVER	64301-L3A-000	IL	
16	R. SIDE SPOILER	64304-L3A-000	IL	
17	L. SIDE SPOILER	64305-L3A-000	IL	
18	FLOOR PANEL	64310-L3A-000	KA	
19	FUEL CAP LID	64311-L3A-000	KA	
20	FRAME NUMBER LID	64313-F3C-000	KA	
21	R. FLOOR GARNISH	64313-L3A-000	IL	
22	L. FLOOR GARNISH	64314-L3A-000	IL	
23	R. FLOOR MAT A	64321-L3A-000	KA	
24	L. FLOOR MAT A	64322-L3A-000	KA	
25	R. FLOOR MAT B	64323-L3A-000	KA	
26	L. FLOOR MAT B	64324-L3A-000	KA	
27	WIND SCREEN SET	6710A-L3A-000	IL	
28	RR. BACK SEAT ASSY	77400-L3A-000	KA	
29	RR. FENDER	80100-L3A-000	KA	
30	RR. MUDGUARD	80106-L3A-000	KA	
31	INNER BOX	81131-L3A-000	KA	
32	MAIN SW. COVER	81132-L3A-000	KA	
33	INNER BOX LID	81141-L3A-000	IL	
34	AIR DUCT COVER	81152-L3A-000	KA	
35	R. RR. CARRIER	81200-L3A-000	IL	
36	L. RR. CARRIER	81210-L3A-000	IL	
37	LUGGAGE BOX ASSY	8125A-L3A-010	KA	
38	R. BODY COVER	83500-L3A-000	IL	
39	R. BODY COVER EMBLEM	87126-L2A-000	•	
40	I MARK	87129-HML-000	•	
41	R. SIDE COVER SET	8352G-L3A-000	IL	
42	SYM MARK (90 STRIPE)	87121-A5W-000	T3	
43	L. BODY COVER	83600-L3A-000	IL	
44	L. BODY COVER EMBLEM	87127-L2A-000	•	
45	L. SIDE COVER SET	8362G-L3A-000	IL	
46	R. BACK MIRROR COMP-WITHOUT WINKER	88110-L3A-008	IL	
47	R. BACK MIRROR SET	8811A-L3A-007	IL	
48	L. BACK MIRROR COMP-WITHOUT WINKER	88120-L3A-008	IL	
49	L. BACK MIRROR SET	8812A-L3A-007	IL	

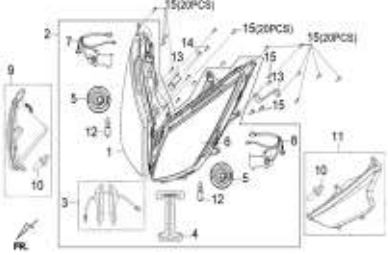
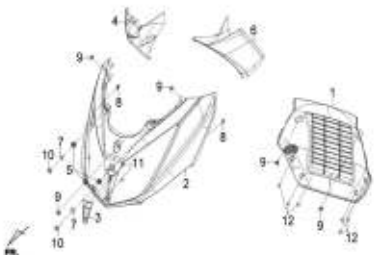
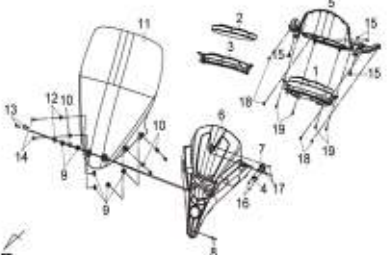
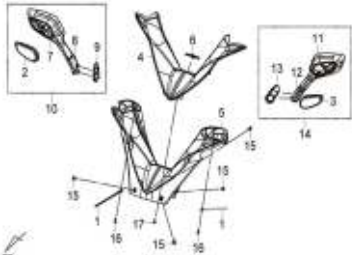
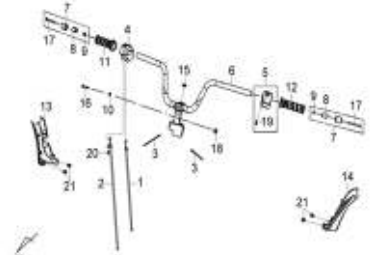
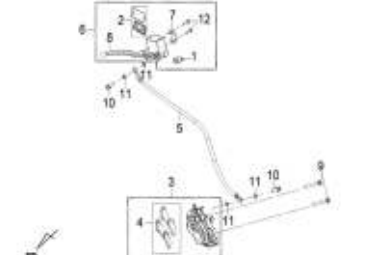
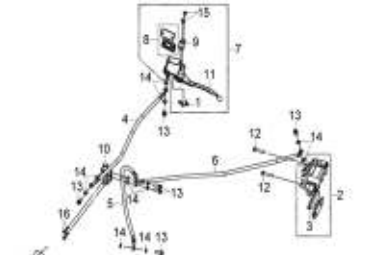
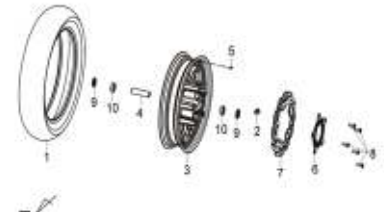
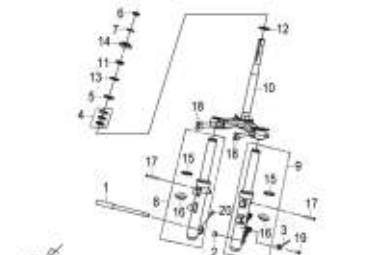
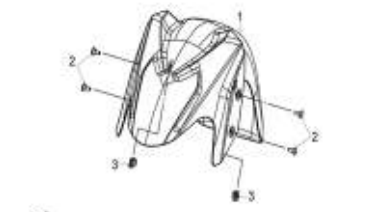
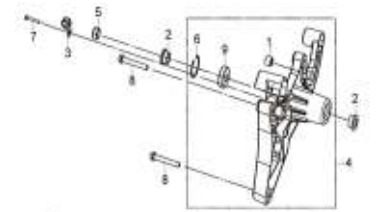


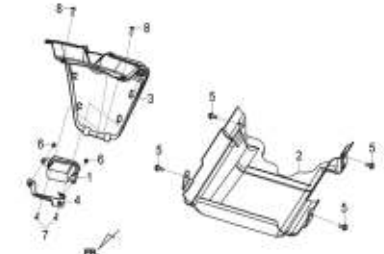
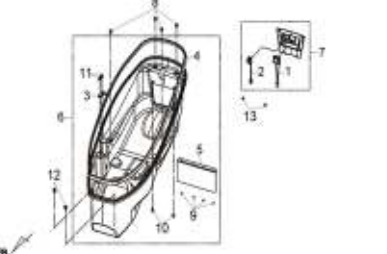
CONTENTS-ENGINE GROUP

<p>E01 CYLINDER HEAD COVER</p> 	<p>E02 IN/EX. VALVE ROCKER ARM</p> 	<p>E03 CYLINDER HEAD COMP</p> 
<p>E04 INLET PIPE ASSY</p> 	<p>E05 CAM SHAFT COMP</p> 	<p>E06 CYL. HEAD SIDE COVER</p> 
<p>E07 CYLINDER SET</p> 	<p>E08 CRANK SHAFT COMP</p> 	<p>E09 R. CRANK CASE COMP</p> 
<p>E10 R. CASE COVER COMP</p> 	<p>E11 MOVABLE DRIVE FACE</p> 	<p>E12 DRIVEN PULLEY ASSY</p> 
<p>E13 MISSION CASE COMP</p> 	<p>E14 WATER PUMP COVER</p> 	<p>E15 FLYWHEEL & STATOR</p> 

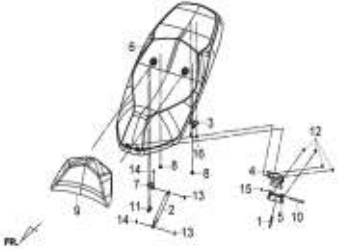

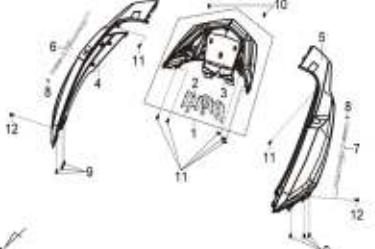
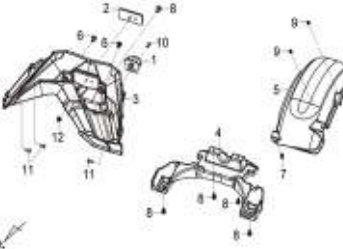
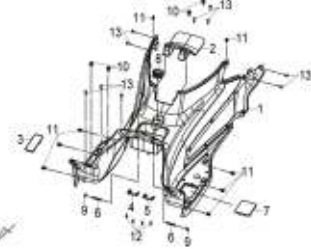
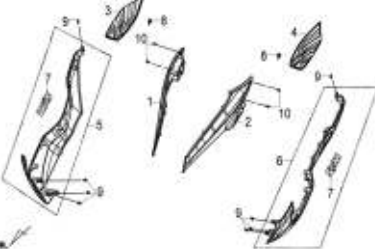
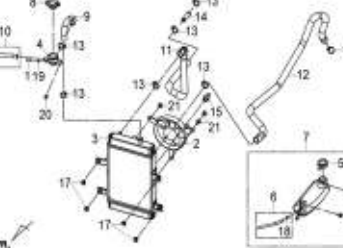
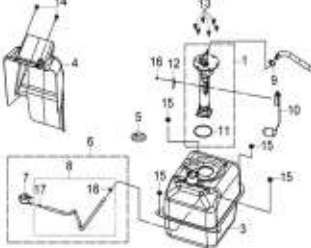
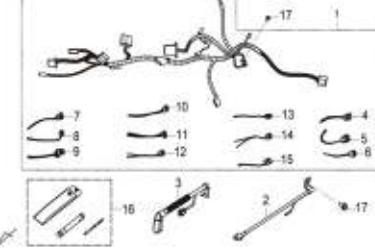
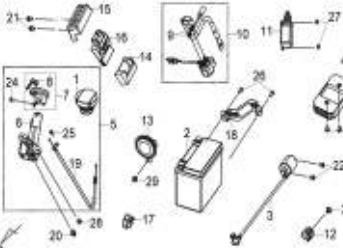
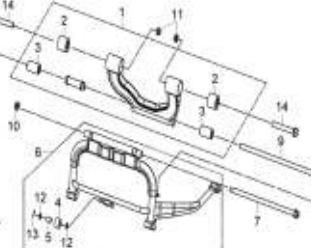
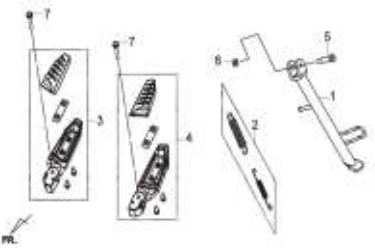
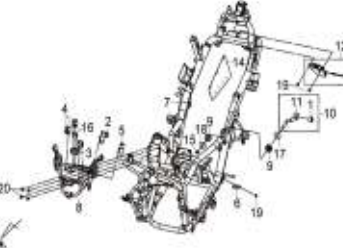
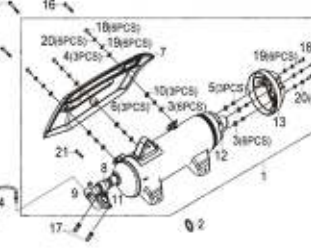
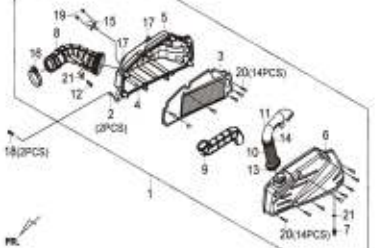
CONTENTS-ENGINE GROUP

E16 OIL PUMP ASSY	E17 L. CRANK CASE COMP	E18 L. CRANK CASE COVER
E19 A.I.S.V.ASSY	E20 BREATHER CHAMBER	

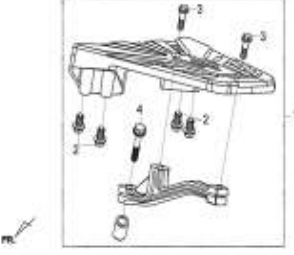
CONTENTS—FRAME GROUP

<p>F01 HEAD LIGHT</p> 	<p>F02 FR. COVER</p> 	<p>F03 METER & WIND SCREEN</p> 
<p>F04 UP HANDLE COVER & R/L MIRROR SET</p> 	<p>F05 STRG. HANDLE COMP</p> 	<p>F06 FR. BRAKE</p> 
<p>F07 RR. BRAKE</p> 	<p>F08 FR. WHEEL</p> 	<p>F09 STRG. STEM & R/L CUSHION</p> 
<p>F10 FR. FENDER</p> 	<p>F11 RR. FORK ASSY</p> 	<p>F12 R. WHEEL & RR. CUSHION</p> 
<p>F13 INNER BOX</p> 	<p>F14 UNDER COVER</p> 	<p>F15 LUGGAGE BOX ASSY</p> 

CONTENTS—FRAME GROUP

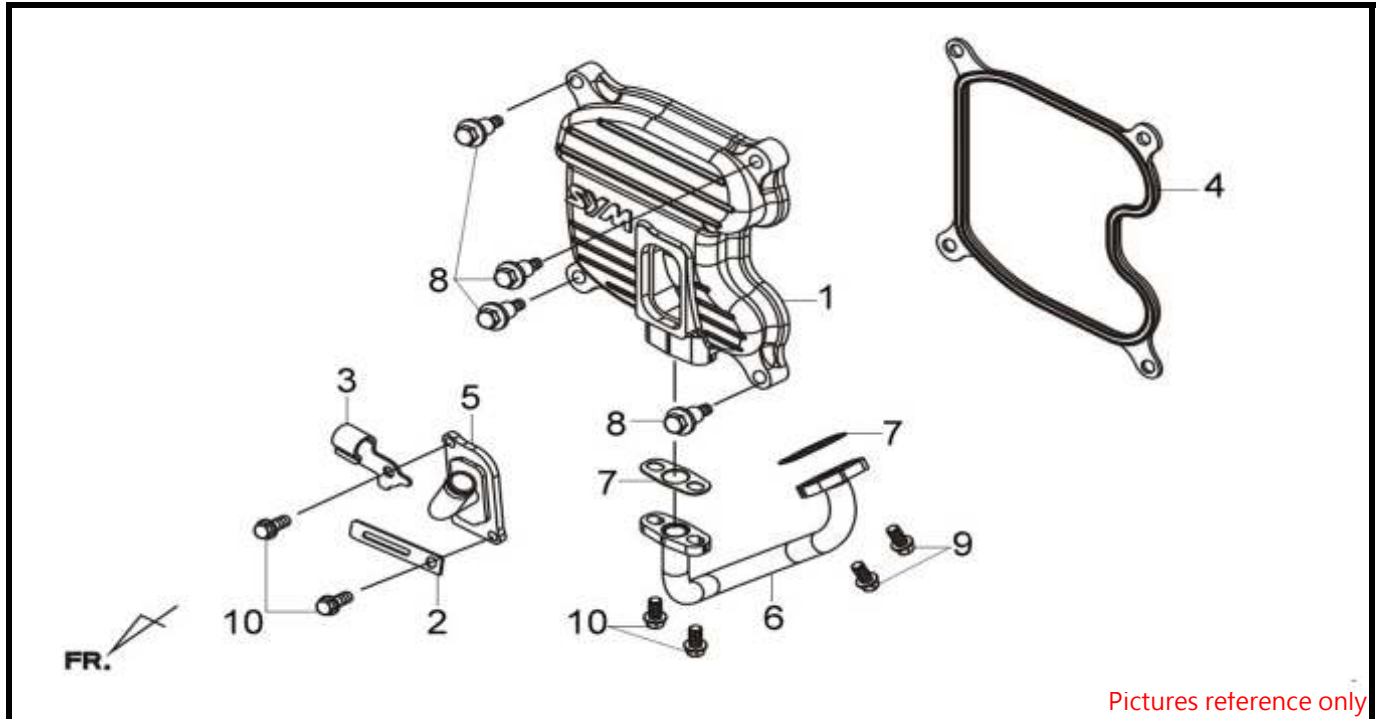
<p>F16 DOUBLE SEAT</p>	<p>F17 R/L RR. CARRIER</p>	<p>F18 BODY COVER</p>
		
<p>F19 TAIL LIGHT</p>	<p>F20 FLOOR PANEL</p>	<p>F21 R/L SIDE COVER</p>
		
<p>F22 RADIATOR ASSY</p>	<p>F23 FUEL TANK</p>	<p>F24 WIRE HARNESS</p>
		
<p>F25 ELECTRIC PART</p>	<p>F26 MAIN STAND ASSY</p>	<p>F27 SIDE STAND & R/L. STEP BAR</p>
		
<p>F28 FRAME BODY</p>	<p>F29 MUFFLER ASSY</p>	<p>F30 AIRCLEANER ASSY</p>
		

CONTENTS—FRAME GROUP

F31 TRUNK BOX BRKT. ASSY		
		

E01
CYLINDER HEAD COVER

LN25W1-6C (JOYMAX250
CKD TO 馬來西亞)



NO	PARTS NUMBER	SELLING PRICE (RM / UNIT)	DESCRIPTION	QTY	EFFECTIVE DATE
1	12301-HMA-000	89.10	CYLINDER HEAD COVER	1	
2	12342-X01-000	1.10	CLAMP	1	
3	12363-L2E-010	5.80	IGNITION COIL CLAMP	1	
4	12391-HMA-000	10.70	CYLINDER HEAD COVER GASKE	1	
5	18610-L2E-000	47.90	REED VALVE COMP	1	
6	18647-HMA-000	36.00	AIR PIPE COMP	1	
7	18654-N14-000	0.80	AIR PIPE GASKET	2	
8	90002-HMA-000	3.30	CYLINDER HEAD COVER BOLT	4	
9	96001-06014-00	0.70	FLANGE BOLT SH 6X14	2	
10	96001-06016-00	0.70	FLANGE BOLT SH 6X16	4	

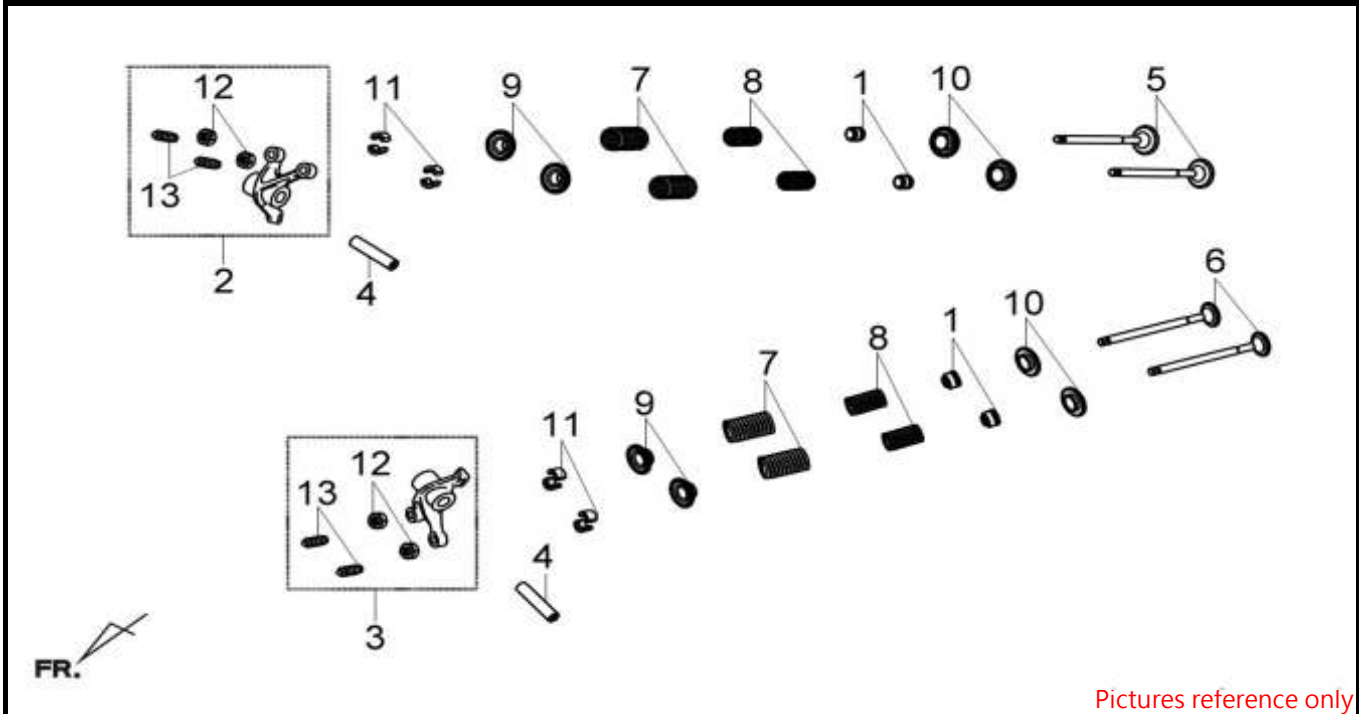
●Please check the color & stripe information according to the color index !

 TEAMWORLD IND.
2013/04

PRICE SHOWN IS PER PIECE. PRODUCT IMAGE PRICES ARE APPROXIMATE GUIDE ONLY.
PRICES SHOWN ARE SUBJECT TO CHANGE WITHOUT PRIOR NOTICE.

E02
IN/EX. VALVE ROCKER ARM

LN25W1-6C (JOYMAX250
CKD TO 馬來西亞)



Pictures reference only

NO	PARTS NUMBER	SELLING PRICE (RM / UNIT)	DESCRIPTION	QTY	EFFECTIVE DATE
1	12209-H6B-900	6.90	VALVE STEM SEAL	4	
2	1443A-HMA-000	123.40	IN. VALVE ROCKER ARM ASSY	1	
3	1444A-HMA-000	123.40	EX. VALVE ROCKER ARM ASSY	1	
4	14451-HMA-000	8.60	ROCKER ARM SHAFT	2	
5	14711-HMA-000	30.80	INLET VALVE	2	
6	14721-HMA-000	49.80	EXHAUST VALVE	2	
6	14721-RFS-000	53.10	EX.VALVE	2	2013/08/01
7	14751-HMA-000	4.10	VALVE OUTER SPRING	4	
8	14761-HMA-000	4.10	INNER VALVE SPRING	4	
9	14771-GB4-680	9.90	VALVE SPRING RETAINER	4	
10	14777-KN7-670	5.20	VALVE SPRING SEAT	4	
11	14781-M9Q-000-A	9.80	VALVE COTTER SET(1SET/4PCS)	2	
12	90012-HLK-000	5.20	TAPPET ADJUSTING SCREW	4	
13	90206-HLK-000	3.30	TAPPET ADJUSTING NUT	4	

TEAMWORLD IND.

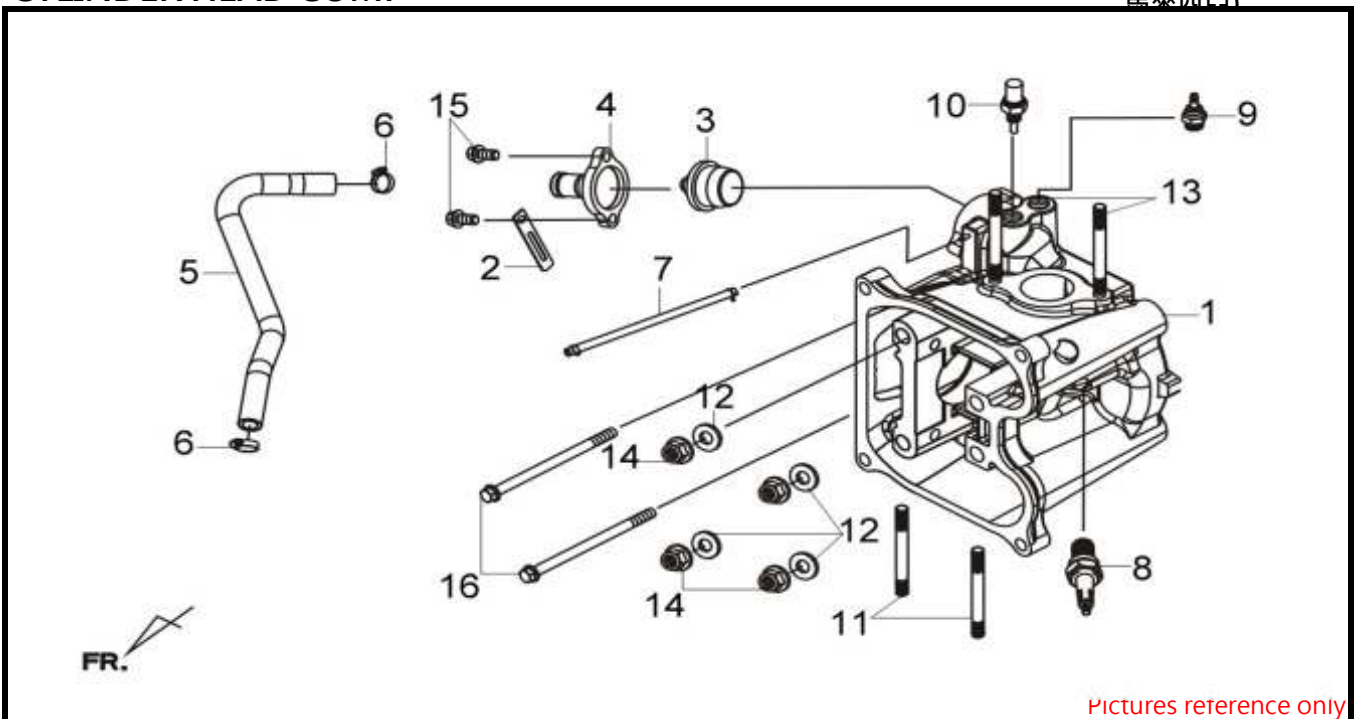
2013/04

●Please check the color & stripe information according to the color index !

PRICE SHOWN IS PER PIECE. PRODUCT IMAGE PRICES ARE APPROXIMATE GUIDE ONLY.
PRICES SHOWN ARE SUBJECT TO CHANDE WITHOUT PRIOR NOTICE.

E03
CYLINDER HEAD COMP

LN25W1-6C
(JOYMAX250 CKD TO
馬來西亞)



Pictures reference only

NO	PARTS NUMBER	SELLING PRICE (RM / UNIT)	DESCRIPTION	QTY	EFFECTIVE DATE
1	12200-HMC-000	685.50	CYLINDER HEAD COMP	1	
2	12342-X01-000	1.10	CLAMP	1	
3	19300-HMA-000	72.10	THERMOSTAT ASSY.	1	
4	19315-L3A-010	20.60	THERMOSTAT COVER	1	
5	19502-L3A-000	43.50	WATER HOSE	1	
6	19505-KS6-700	3.30	WATER HOSE CLAMP A	2	
7	1951A-HMA-010	9.30	THERMOSTAT TUBE ASSY	1	
8	1PCR8E-3	29.00	PLUG CR8E	1	
9	37750-PC1-004	45.10	THERMO UNIT ASSY	1	
10	37880-HMC-000	44.60	TW SENSOR	1	
11	90034-HMA-000	1.30	SPECIAL STUD BOLT 8*40	2	
12	90442-HMA-000	1.00	SEAL WASHER	4	
13	92900-06028-0B	1.70	STUB BOLT 6X28	2	
14	94050-10080	1.70	FLANGE NUT 10MM	4	
15	96001-06016-00	0.70	FLANGE BOLT SH 6X16	2	
16	96001-06090-00	1.30	FLANGE SH BOLT 6X90	2	

● Please check the color & stripe information according to the color index !

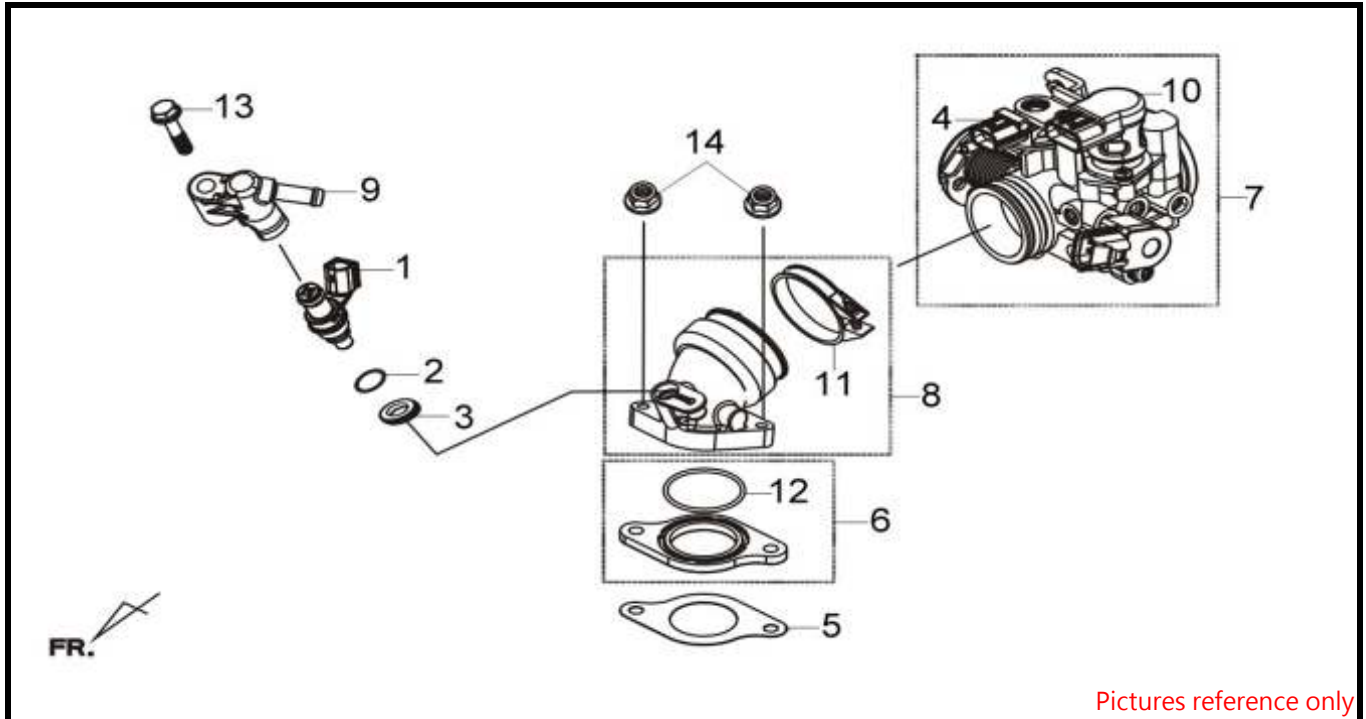
TEAMWORLD IND.

2013/04

PRICE SHOWN IS PER PIECE. PRODUCT IMAGE PRICES ARE APPROXIMATE GUIDE ONLY.
PRICES SHOWN ARE SUBJECT TO CHANDE WITHOUT PRIOR NOTICE.

E04
INLET PIPE ASSY

LN25W1-6C (JOYMAX250
CKD TO 馬來西亞)



Pictures reference only

NO	PARTS NUMBER	SELLING PRICE (RM / UNIT)	DESCRIPTION	QTY	EFFECTIVE DATE
1	06414-LEF-000	301.70	FUEL INJECTOR	1	2013/05/01
2	06415-HNS-000	3.50	O-RING	1	
3	06416-HNS-000	7.60	SEAL-RING	1	
4	1614-906-0002	277.60	MAP SENSOR (16401-HML-000)	1	
5	16201-HMC-000	1.00	CARB. INSULATOR GASKET	1	
6	1621A-HMC-000	9.30	CARBURETOR INSULATOR ASSY	1	
7	16401-L2E-000	548.40	THROTTLE BODY ASSY	1	
8	1711A-L2E-000	99.40	INLET PIPE ASSY	1	
9	17120-HNS-010	25.00	FUEL INJECTOR CUP ASSY	1	
10	3700-A35B-0100	370.20	ISC VALVE	1	
11	90653-HMA-000	16.20	INLET PIPE BAND 48	1	
12	91308-HMA-000	2.50	O-RING 34*2.0	1	
13	92101-06016-0H	1.00	HEX BOLT 6*16	1	
14	94050-06000	0.40	FLANGE NUT 6MM	2	

TEAMWORLD IND.

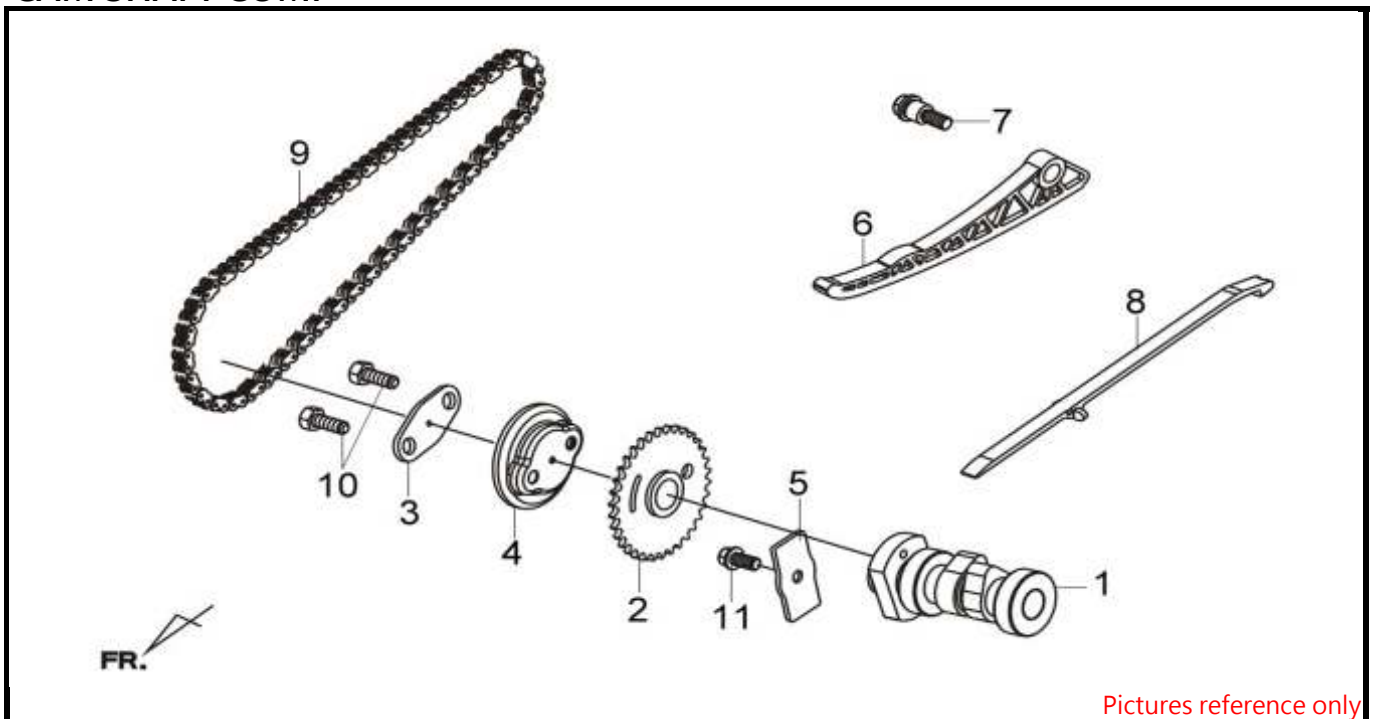
●Please check the color & stripe information according to the color index !

2013/04

PRICE SHOWN IS PER PIECE. PRODUCT IMAGE PRICES ARE APPROXIMATE GUIDE ONLY.
PRICES SHOWN ARE SUBJECT TO CHANDE WITHOUT PRIOR NOTICE.

E05
CAM SHAFT COMP

LN25W1-6C (JOYMAX250
CKD TO 馬來西亞)



Pictures reference only

NO	PARTS NUMBER	SELLING PRICE (RM / UNIT)	DESCRIPTION	QTY	EFFECTIVE DATE
1	14100-HML-000	171.40	CAM SHAFT COMP	1	
2	14105-RFA-000	30.30	CAM SPROCKET	1	
3	14105-X01-000	2.80	CAM SPROCKET WASHER	1	
4	14108-M36-000	2.80	CENTRIFUGAL DISK	1	
5	14457-HMA-000	1.10	CAM SHAFT SETTING PLATE1.	1	
6	14510-RFA-000	9.60	CAM CHAIN TENSIONER	1	
7	14531-KJ9-000	2.50	CAM CHAIN TENSIONERPIVOT	1	
8	14610-RFA-000	15.40	CAM CHAIN GUIDE	1	
9	1C14401-RFA-000	120.00	CAM CHAIN 92RH2010-100L	1	
10	92101-06016-0H	1.00	HEX BOLT 6*16	2	
11	96001-06014-00	0.70	FLANGE BOLT SH 6X14	1	

TEAMWORLD IND.

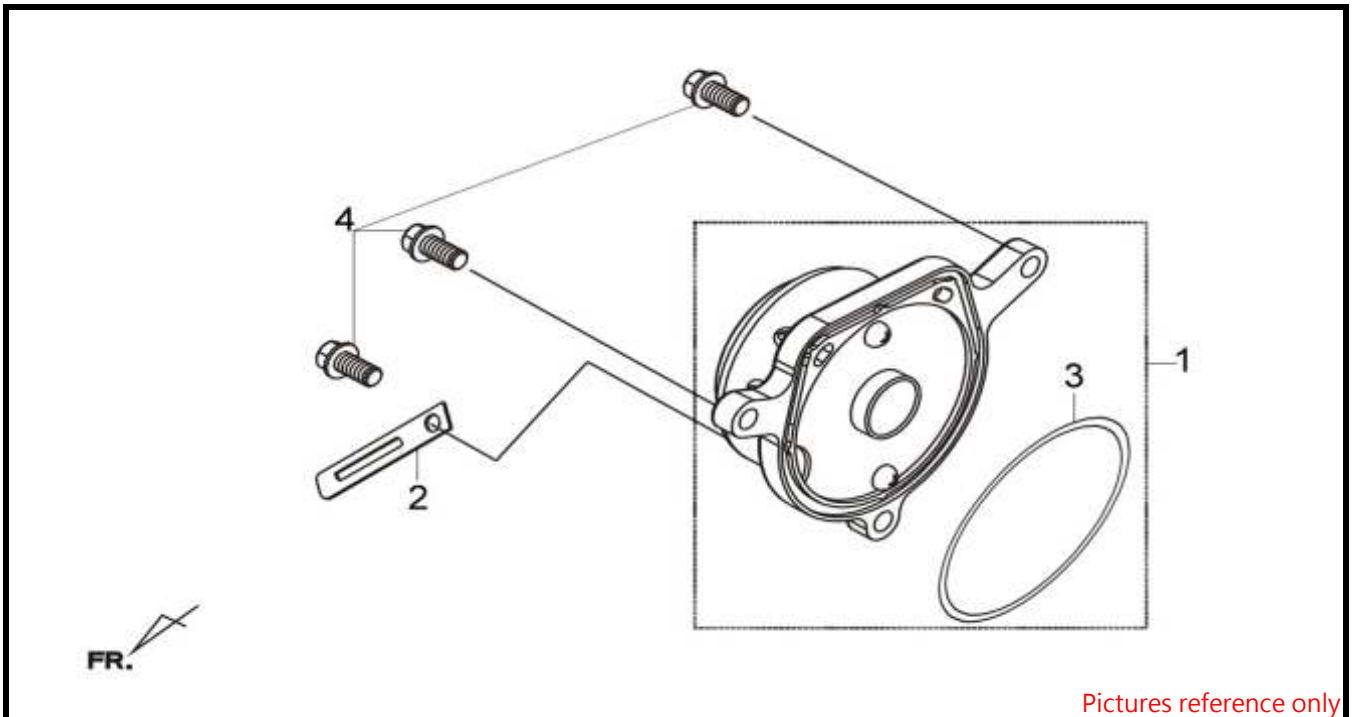
●Please check the color & stripe information according to the color index !

2013/04

PRICE SHOWN IS PER PIECE. PRODUCT IMAGE PRICES ARE APPROXIMATE GUIDE ONLY.
PRICES SHOWN ARE SUBJECT TO CHANDE WITHOUT PRIOR NOTICE.

E06
CYL. HEAD SIDE COVER

LN25W1-6C (JOYMAX250
CKD TO 馬來西亞)



Pictures reference only

NO	PARTS NUMBER	SELLING PRICE (RM / UNIT)	DESCRIPTION	QTY	EFFECTIVE DATE
1	1231A-L3A-000	49.80	CYL. HEAD SIDE COVER ASSY	1	
2	12342-X01-000	1.10	CLAMP	1	
3	91301-HMA-000	4.10	HEAD SIDE COVER O-RING	1	
4	96001-06018-00	0.80	FLANGE BOLT SH 6X18	3	

TEAMWORLD IND.

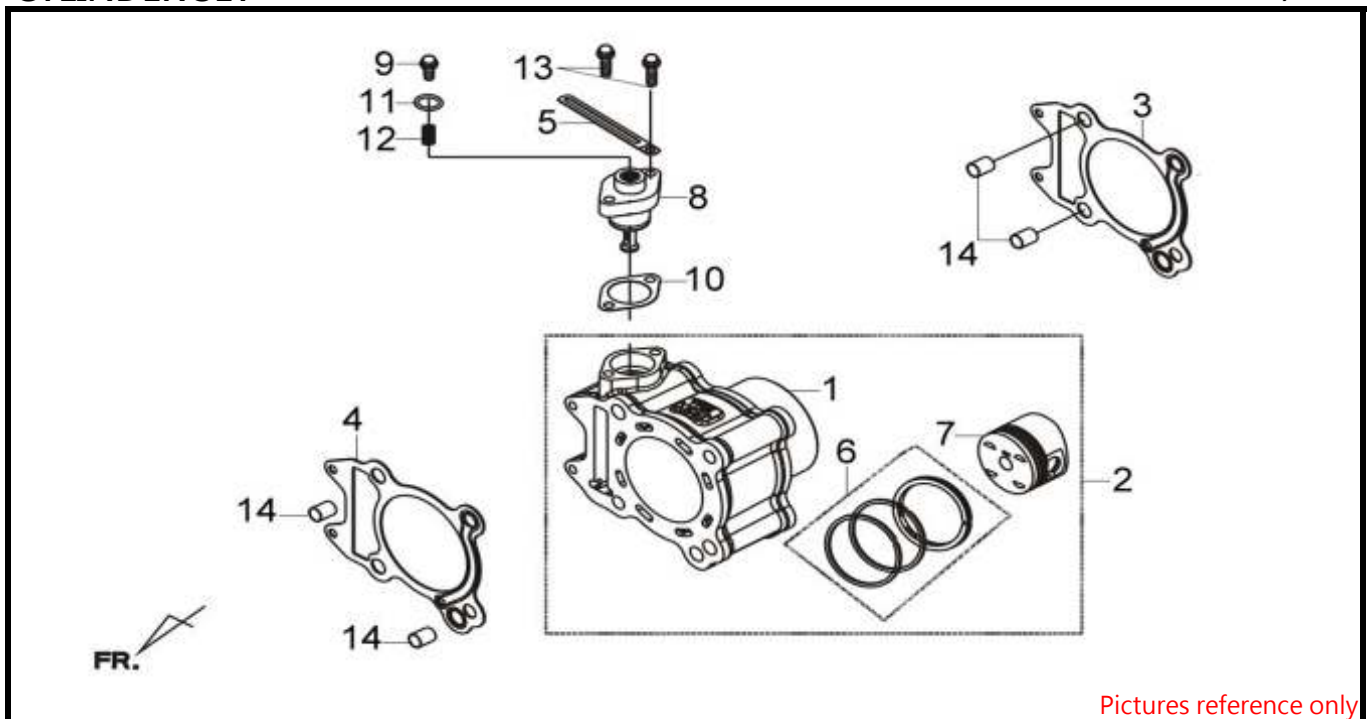
● Please check the color & stripe information according to the color index !

2013/04

PRICE SHOWN IS PER PIECE. PRODUCT IMAGE PRICES ARE APPROXIMATE GUIDE ONLY.
PRICES SHOWN ARE SUBJECT TO CHANDE WITHOUT PRIOR NOTICE.

E07
CYLINDER SET

LN25W1-6C (JOYMAX250
CKD TO 馬來西亞)



Pictures reference only

NO	PARTS NUMBER	SELLING PRICE (RM / UNIT)	DESCRIPTION	QTY	EFFECTIVE DATE
1	12100-HMA-000	511.20	CYLINDER COMP	1	
2	12100-HMA-000-A	633.50	CYLINDER SET	1	
3	12191-HMA-000	4.30	CYLINDER GASKET	1	
4	12251-HMA-000	41.10	CYLINDER HEAD GASKET	1	
5	12342-G02-000	2.00	CLAMP	1	
6	13010-HMA-000	61.70	PISTON RING SET	1	
7	13101-HMA-000	58.30	PISTON	1	
8	14520-H6T-000	44.60	TENSIONER LIFTER	1	
9	14522-H6T-000	2.80	TENSIONER ADJUSTER BOLT	1	
10	14523-M9Q-000	1.70	TENSIONER LIFTER GASKET	1	
11	14524-H6T-000	1.70	OIL-RING	1	
12	14525-H6T-000	2.50	ADJUSTER SPRING	1	
13	90001-M9Q-000	0.80	FLANGE SHF BOLT 6X22	2	
14	94301-12200	2.50	DOWEL PIN 12*20	4	

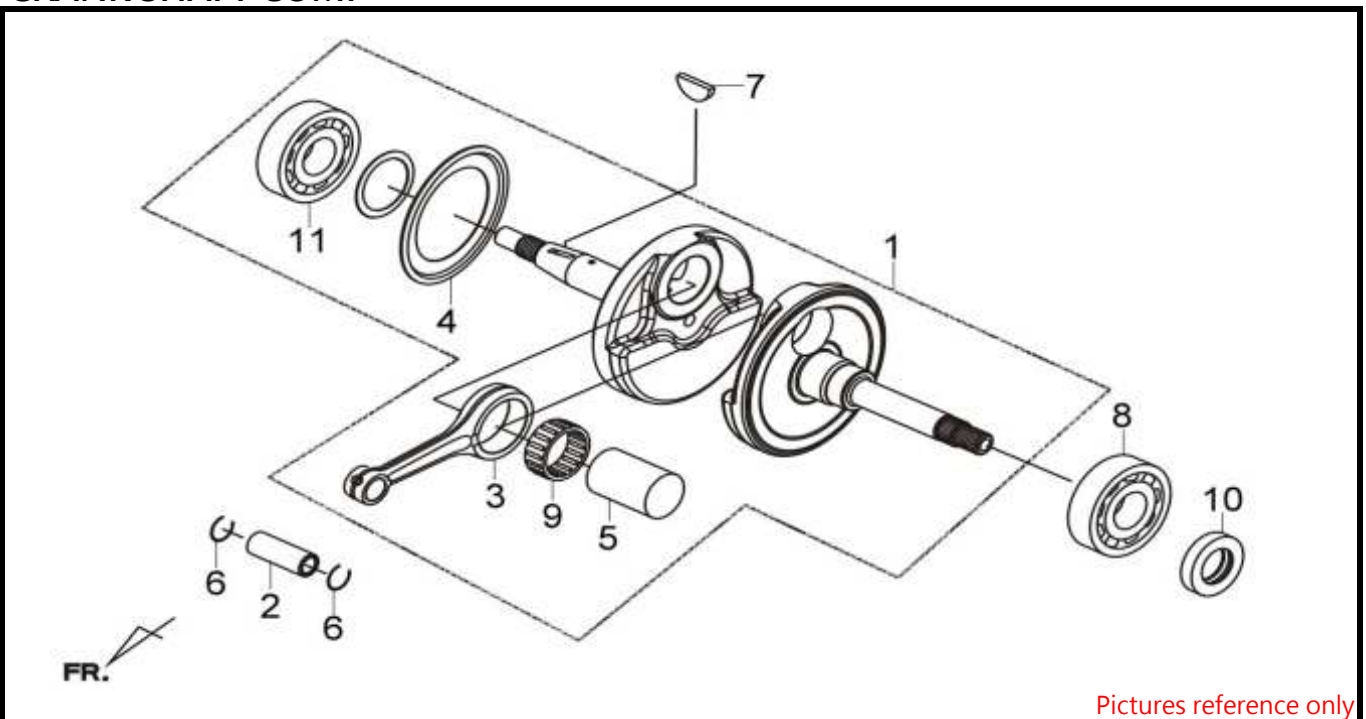
●Please check the color & stripe information according to the color index !

TEAMWORLD IND.
2013/04

PRICE SHOWN IS PER PIECE. PRODUCT IMAGE PRICES ARE APPROXIMATE GUIDE ONLY.
PRICES SHOWN ARE SUBJECT TO CHANDE WITHOUT PRIOR NOTICE.

E08
CRANK SHAFT COMP

LN25W1-6C (JOYMAX250
CKD TO 馬來西亞)



Pictures reference only

NO	PARTS NUMBER	SELLING PRICE (RM / UNIT)	DESCRIPTION	QTY	EFFECTIVE DATE
1	13000-L2A-000	685.50	CRANK SHAFT COMP	1	
2	13111-HMA-000	14.40	PISION PIN	1	
3	13201-LEA-000	126.80	CONNECTING ROD	1	
4	13371-HMA-300	3.10	R CRANK SIDE PLATE	1	
5	13381-HMA-300	27.50	CRANK PIN	1	
6	90601-HMA-000	0.80	PISTON PIN CLIP	2	
7	90701-HB6-010	4.80	WOODRUFF KEY 25X14X4	1	
8	91001-HMA-000	110.20	RADIAL BALL BRG. TMB306	1	
9	91003-LEA-000	109.80	CONN. ROD BRG.KU32*41*17.8	1	
10	91201-HMA-300	4.80	OIL SEAL	1	
11	96100-62070-10	39.40	RADIAL BALL BEARING. 6207	1	

●Please check the color & stripe information according to the color index !

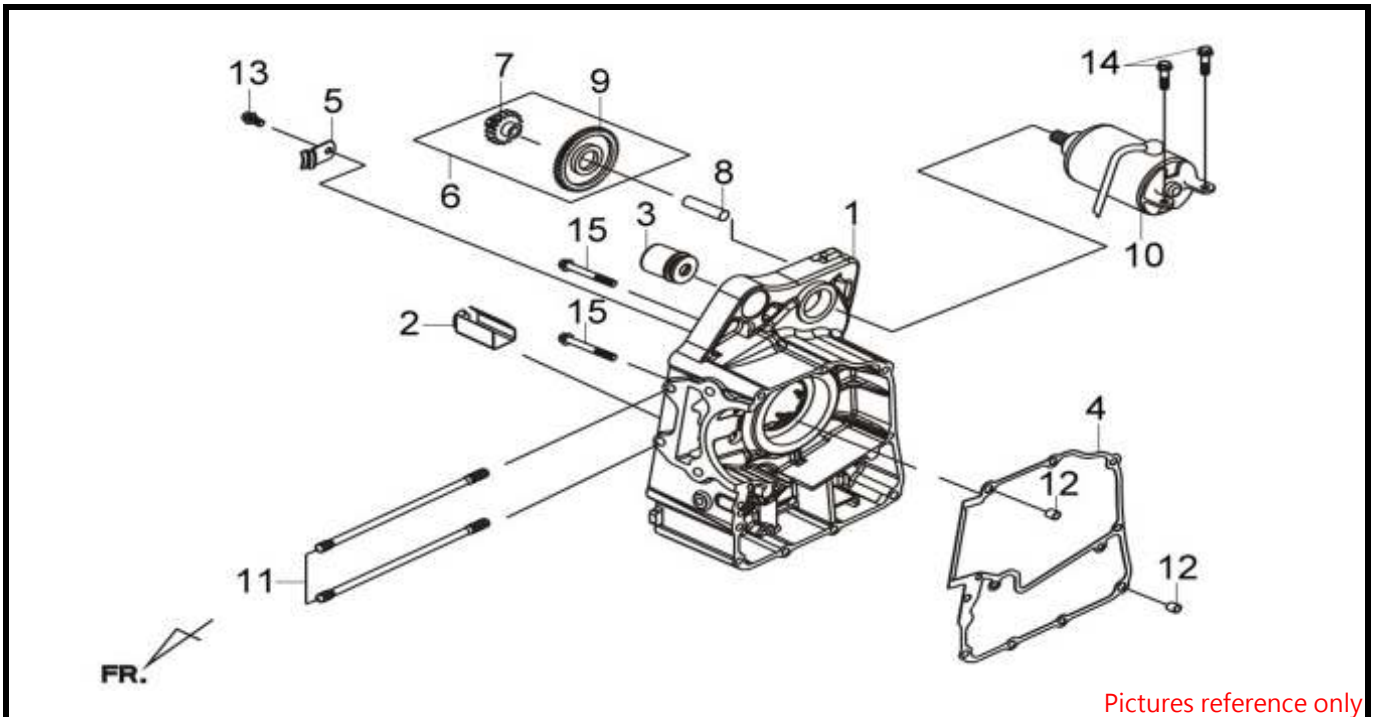
TEAMWORLD IND.
2013/04

PRICE SHOWN IS PER PIECE. PRODUCT IMAGE PRICES ARE APPROXIMATE GUIDE ONLY.
PRICES SHOWN ARE SUBJECT TO CHANDE WITHOUT PRIOR NOTICE.

E09

R. CRANK CASE COMP

LN25W1-6C (JOYMAX250
CKD TO 馬來西亞)



Pictures reference only

NO	PARTS NUMBER	SELLING PRICE (RM / UNIT)	DESCRIPTION	QTY	EFFECTIVE DATE
1	11100-HMA-001	342.00	R. CRANK CASE COMP	1	
2	11107-HMA-000	7.60	MAGNET PLATE	1	
3	11120-LEA-000	44.50	ENGINE HANGER BUSH ASSY	1	
4	11191-HMA-000	5.00	CRANK CASE GASKET	1	
5	14151-RFA-000	2.00	CAM CHAIN SETTING PLATE	1	
6	28100-HMA-000	58.30	STARER RED.GEAR COMP	1	
7	28101-HMA-300	41.10	STARTER RIDUCTION GEAR A	1	
8	28102-HMA-000	5.80	START.REDUCTION GEAR SHAFT	1	
9	28105-HMA-300	37.70	STARTER RIDUCTION GEAR B	1	
10	31200-HMA-000	359.90	START MOTOR ASSY.	1	
11	90031-HMA-000	9.60	CYLINDER STUD BOLT A	2	
12	94301-08140	1.00	DOWEL PIN 8X14	2	
13	96001-06012-08	0.80	FLANGE BOLT SH 6X12	1	
14	96001-06022-00	1.00	FLANGE BOLT SH 6X22	2	
15	96001-06055-00	1.70	BOLT FLANGE SH 6X55	2	

TEAMWORLD IND.

●Please check the color & stripe information according to the color index !

2013/04

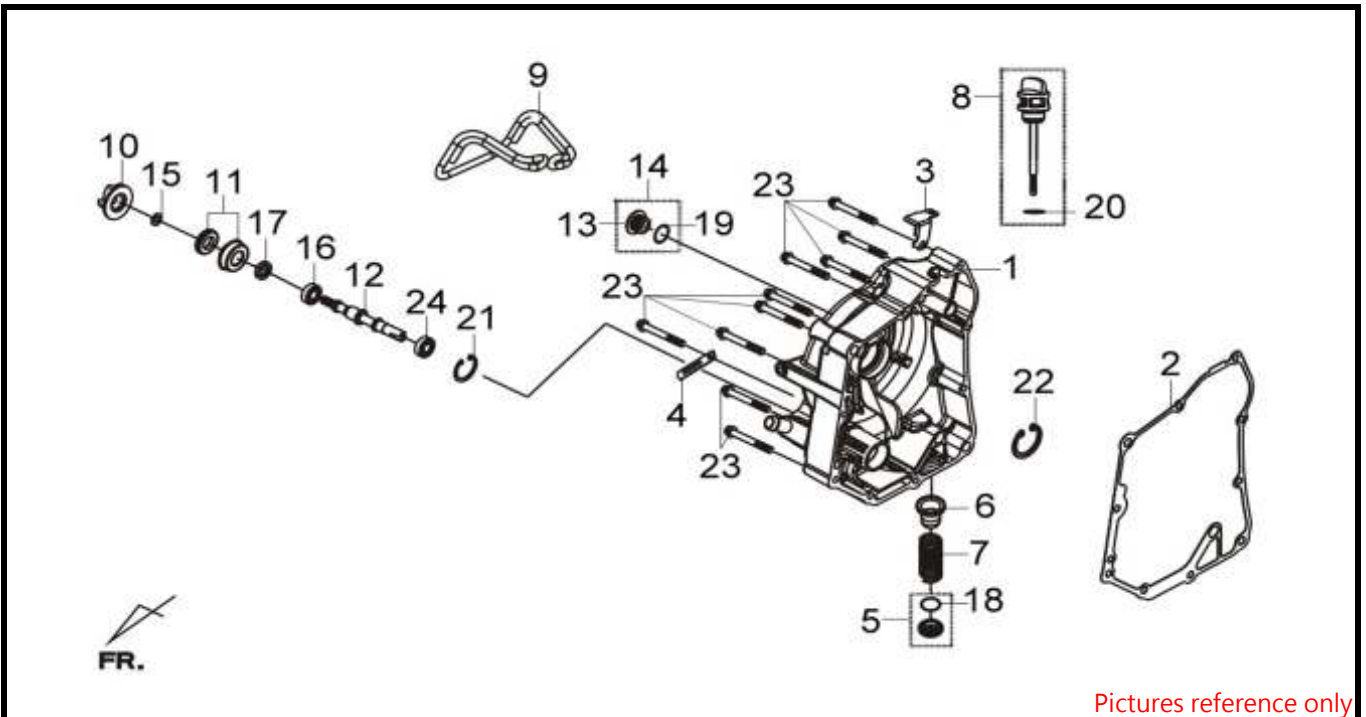
PRICE SHOWN IS PER PIECE. PRODUCT IMAGE PRICES ARE APPROXIMATE GUIDE ONLY.
PRICES SHOWN ARE SUBJECT TO CHANDE WITHOUT PRIOR NOTICE.

E10

R. CASE COVER COMP

LN25W1-6C (JOYMAX250

CKD TO 馬來西亞)



NO	PARTS NUMBER	SELLING PRICE (RM / UNIT)	DESCRIPTION	QTY	EFFECTIVE DATE
1	11330-L3A-000	291.40	R. CASE COVER COMP	1	
2	11394-HMA-000	9.00	R. CRANK CASE COVER GASKET	1	
3	11832-L3A-000	3.30	O2 SENSOR COUPLER STAY	1	
4	12342-X01-000	1.10	CLAMP	1	
5	1236A-V02-000	8.00	TAPPET ADJ HOLE CAP ASSY	1	
6	15421-B9D-000	4.80	OIL FILTER SCREEN	1	
7	15426-GE1-920	1.30	OIL FILTER SCREEN SPRING	1	
8	1565A-HMA-000	4.10	OIL LEVEL GAUGE ASSY	1	
9	18241-L3A-000	39.40	EXH. PIPE PROTECTOR	1	
10	19215-HLA-000	10.20	WATER PUMP IMPELLER	1	
11	19217-H9A-300	24.00	MECHANICAL SEAL	1	
12	19231-HMA-000	30.80	WATER PUMP SHAFT	1	
13	90084-H9A-000	10.20	A.C.GEN. CAP 14MM	1	
14	9008A-H9A-000	4.10	A.C.G. CAP ASSY 14MM	1	
15	90423-KJ9-000	0.80	WASHER 7.2X13X1.2	1	
16	91001-KJ9-005	17.10	RADIAL BALL BRG.6901	1	
17	91205-KF0-003	4.10	OIL SEAL 12X20X5	1	
18	91302-M9Q-000	1.70	O-RING 30.8MM	1	
19	91303-377-000	1.00	O-RING 13.8X2.5	1	
20	91307-035-000	1.40	O-RING 18X3	1	
21	94520-26000	1.30	CIRCLIP IN 26MM	1	

PRICE SHOWN IS PER PIECE. PRODUCT IMAGE PRICES ARE APPROXIMATE GUIDE ONLY.
PRICES SHOWN ARE SUBJECT TO CHANGE WITHOUT PRIOR NOTICE.

22	94520-32000	2.80	IN CIRCLIP 32MM	1
23	96001-06045-00	1.00	FLANGE BOLT 6X45	10
24	96100-60000-00	15.00	RADIAL BALL BRG. 6000CM	1

 **TEAMWORLD IND.**

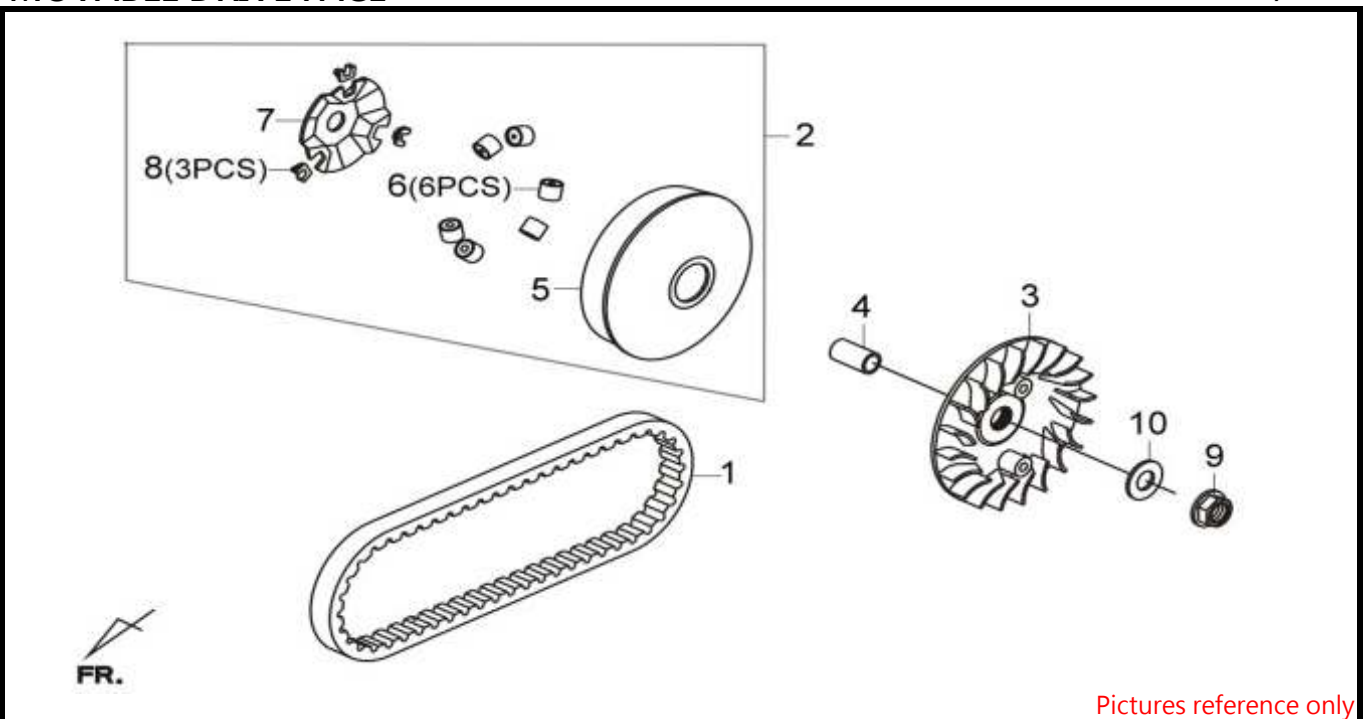
● Please check the color & stripe information according to the color index !

2013/04

PRICE SHOWN IS PER PIECE. PRODUCT IMAGE PRICES ARE APPROXIMATE GUIDE ONLY.
 PRICES SHOWN ARE SUBJECT TO CHANGE WITHOUT PRIOR NOTICE.

E11
MOVABLE DRIVE FACE

LN25W1-6C (JOYMAX250
CKD TO 馬來西亞)



Pictures reference only

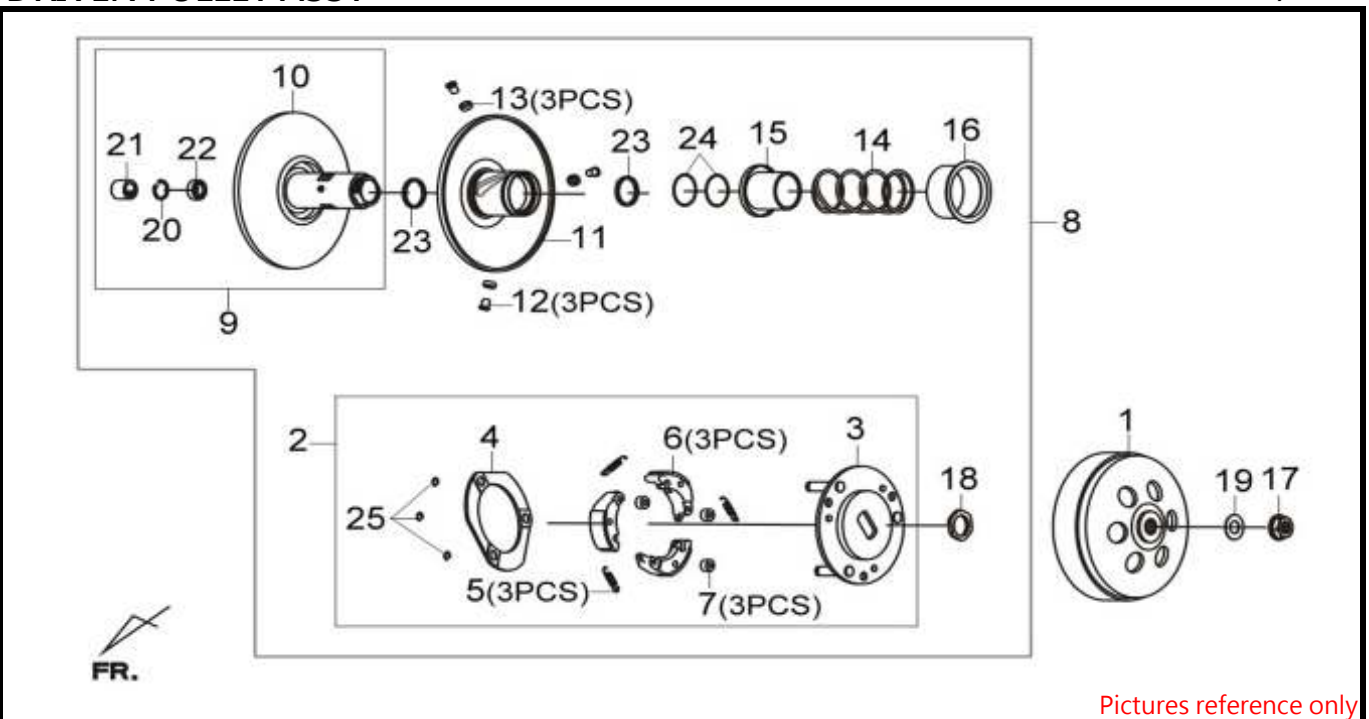
NO	PARTS NUMBER	SELLING PRICE (RM / UNIT)	DESCRIPTION	QTY	EFFECTIVE DATE
1	1B01HMA01	247.90	DRIVE BELT(924X24.4X30)	1	
2	22000-RB1-000	253.70	MOVABLE DRIVE FACE ASSY.	1	
3	22102-HMA-000	81.10	DRIVE FACE	1	
4	22105-HMA-000	41.10	DRIVE FACE BOSS	1	
5	22110-HMA-000	132.00	MOVABLE DRIVE FACE COMP	1	
6	22121-RB1-001-A	68.50	WEIGHT ROLLER COMP(6PCS)(18G)	1	
7	22131-HMA-000	36.00	RAMP PLATE	1	
8	22132-HMA-000-A	6.10	SLIDE PIECE SET(3PCS/1SET)	1	
9	90201-KR8-751-M1	4.80	FLANGE NUT 14MM	1	
10	90401-KJ9-000	2.80	THRUST WASHER 14X28X2	1	

●Please check the color & stripe information according to the color index !

TEAMWORLD IND.

2013/04

PRICE SHOWN IS PER PIECE. PRODUCT IMAGE PRICES ARE APPROXIMATE GUIDE ONLY.
PRICES SHOWN ARE SUBJECT TO CHANDE WITHOUT PRIOR NOTICE.



Pictures reference only

NO	PARTS NUMBER	SELLING PRICE (RM / UNIT)	DESCRIPTION	QTY	EFFECTIVE DATE
1	22101-HMA-000	130.20	CLUTCH OUTER	1	
2	22300-L3D-000	291.40	DRIVE PLATE ASSY	1	
3	22350-HMA-000	47.90	DRIVE PLATE COMP.	1	
4	22361-HMA-000	10.70	CLUTCH SIDE PLATE	1	
5	22401-HMA-000	4.10	CLUTCH SPRING	3	
6	22530-L3D-000-A	224.50	CLUTCH WEIGHT(3PCS)	1	
7	22804-HMA-000	4.50	CLUTCH DAMPER RUBBER	3	
8	23010-L2A-000	862.00	DRIVEN PULLEY ASSY	1	
9	23200-HMA-000	318.70	DRIVEN FACE ASSY	1	
10	23210-HMA-000	202.20	DRIVEN FACE COMP	1	
11	23220-HMA-000	212.60	MOVABLE DRIVEN FACE COMP	1	
12	23225-HMA-000	3.80	ROLLER GUIDE PIN	3	
13	23226-HMA-000	2.50	GUIDE ROLLER	3	
14	23233-HMA-000	20.60	DRIVEN FACE SPRING	1	
15	23237-HMA-000	15.40	SEAL COLLAR	1	
16	23238-HMA-000	10.90	SPRING COLLAR	1	
17	90201-KR8-751-M1	4.80	FLANGE NUT 14MM	1	
18	90202-HMA-000	9.60	SPECIAL NUT	1	
19	90401-KJ9-000	2.80	THRUST WASHER 14X28X2	1	
20	90602-HMA-000	4.10	IN. CIRCLE CLIP	1	
21	91006-HMA-300	68.50	NEEDLE BEARING	1	

PRICE SHOWN IS PER PIECE. PRODUCT IMAGE PRICES ARE APPROXIMATE GUIDE ONLY.
PRICES SHOWN ARE SUBJECT TO CHANGE WITHOUT PRIOR NOTICE.

22	91007-HMA-300	24.00	RADIAL BALL BRG.	1
23	91211-HMA-000	3.80	OIL SEAL	2
24	91305-HMA-000	3.10	O-RING 47*2.0	2
25	94540-08010	0.80	E-RING	3

 **TEAMWORLD IND.**

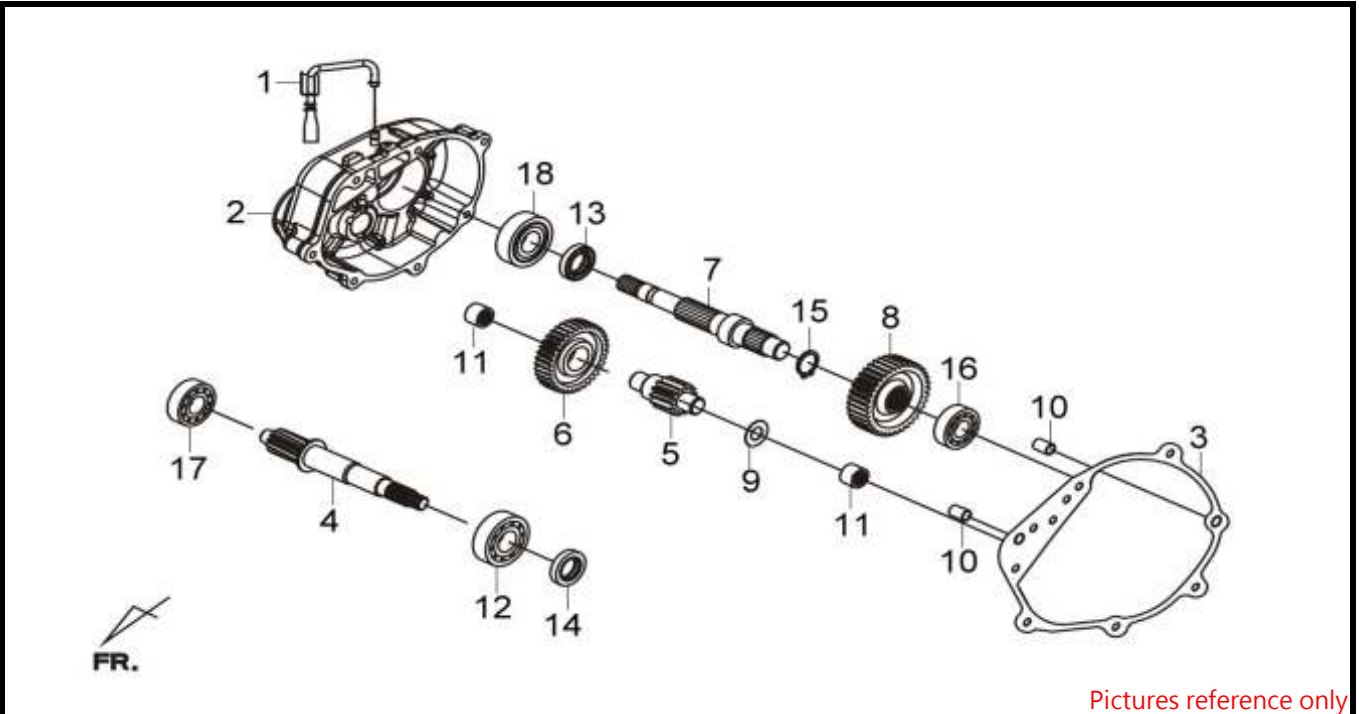
●Please check the color & stripe information according to the color index !

2013/04

PRICE SHOWN IS PER PIECE. PRODUCT IMAGE PRICES ARE APPROXIMATE GUIDE ONLY.
 PRICES SHOWN ARE SUBJECT TO CHANDE WITHOUT PRIOR NOTICE.

E13
MISSION CASE COMP

LN25W1-6C (JOYMAX250
CKD TO 馬來西亞)



Pictures reference only

NO	PARTS NUMBER	SELLING PRICE (RM / UNIT)	DESCRIPTION	QTY	EFFECTIVE DATE
1	1122A-HMA-000	10.70	MISSION BREATHER TUBE ASSY	1	
2	21200-HMA-000	181.60	MISSION CASE COMP	1	
3	21395-HMA-000	6.90	MISSION COVER GASKET	1	
4	23411-HMA-000	99.40	DRIVE SHAFT	1	
5	23421-HMA-300	35.60	COUNTER SHAFT	1	
6	23422-HMA-300	77.50	COUNTER GAER	1	
7	23431-HMA-000	123.40	FINAL SHAFT	1	
8	23432-HMA-000	92.50	FINAL GEAR	1	
9	90401-HMA-000	2.80	THRUST WASHER 15MM	1	
10	90703-M8Q-000	1.00	DOWEL PIN 10X14	2	
11	91002-HMA-000	24.00	NEEDLE BRG. HK1516	2	
12	91009-HMC-000	37.70	BALL RADIAL BRG.CSB205 JR2C3	1	
13	91203-HMA-000	3.80	OIL SEAL	1	
14	91204-HMA-000	9.60	OIL SEAL	1	
15	94510-25000	1.30	EX. CIR CLIP 25MM	1	
16	96100-62040-10	16.20	RADIAL BALL BRG. 6204	1	
17	96100-63020-00	17.10	RAD.BALL.BRG.6302	1	
18	96150-62050-10	27.50	RADIAL BALL BRG. 6205LLU	1	

● Please check the color & stripe information according to the color index !

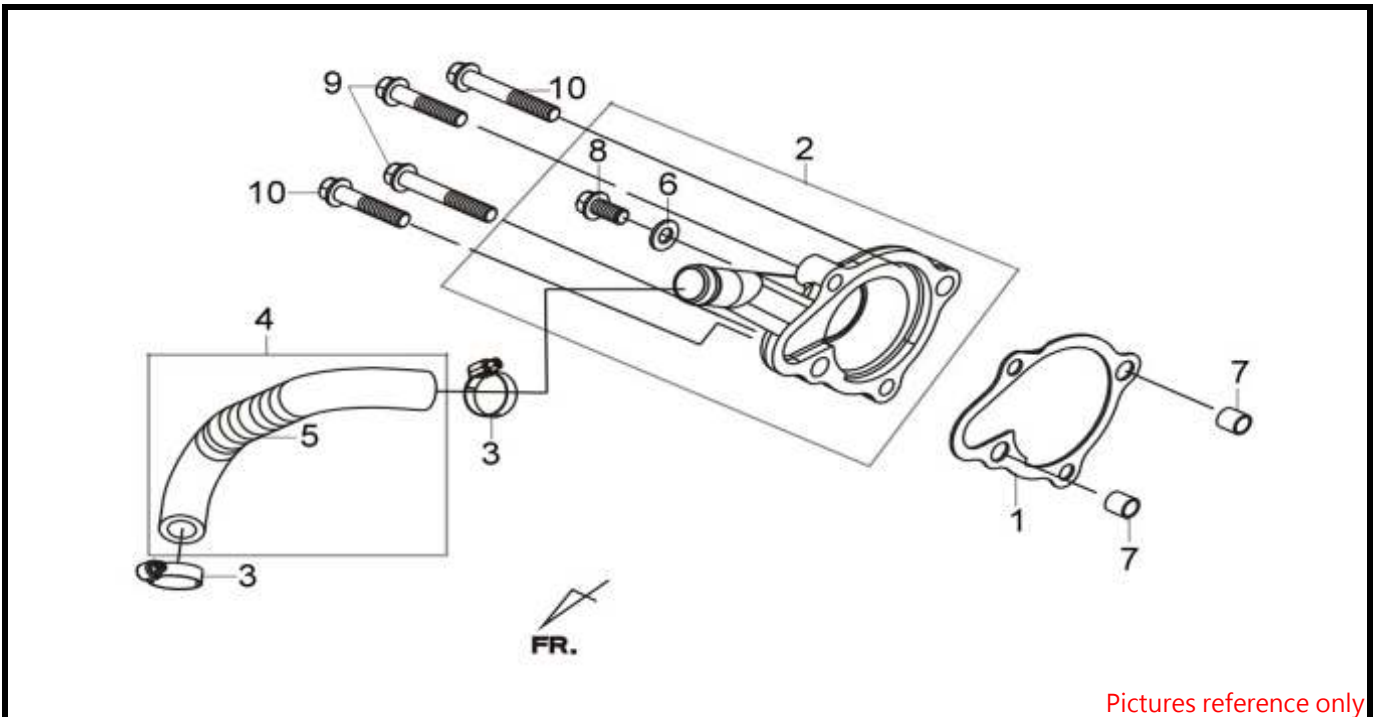
TEAMWORLD IND.

2013/04

PRICE SHOWN IS PER PIECE. PRODUCT IMAGE PRICES ARE APPROXIMATE GUIDE ONLY.
PRICES SHOWN ARE SUBJECT TO CHANDE WITHOUT PRIOR NOTICE.

E14
WATER PUMP COVER

LN25W1-6C (JOYMAX250
CKD TO 馬來西亞)



Pictures reference only

NO	PARTS NUMBER	SELLING PRICE (RM / UNIT)	DESCRIPTION	QTY	EFFECTIVE DATE
1	19229-H9A-000	1.30	WATER PUMP GASKET	1	
2	1922A-LEA-000	29.10	WATER PUMP COVER ASSY	1	
3	19505-KS6-700	3.30	WATER HOSE CLAMP A	2	
4	1950A-LEA-000	22.70	WATER HOSE ASSY	1	
5	19604-H01-000	4.80	LH. WATER HOSE GUARD WIRE	1	
6	90478-700-000	0.80	WASHER A. 6MM	1	
7	94301-08140	1.00	DOWEL PIN 8X14	2	
8	96001-06010-00	0.80	SH FLANGE BOLT 6X10	1	
9	96001-06022-00	1.00	FLANGE BOLT SH 6X22	2	
10	96001-06032-00	1.00	FLANGE BOLT SH 6X32	2	

TEAMWORLD IND.

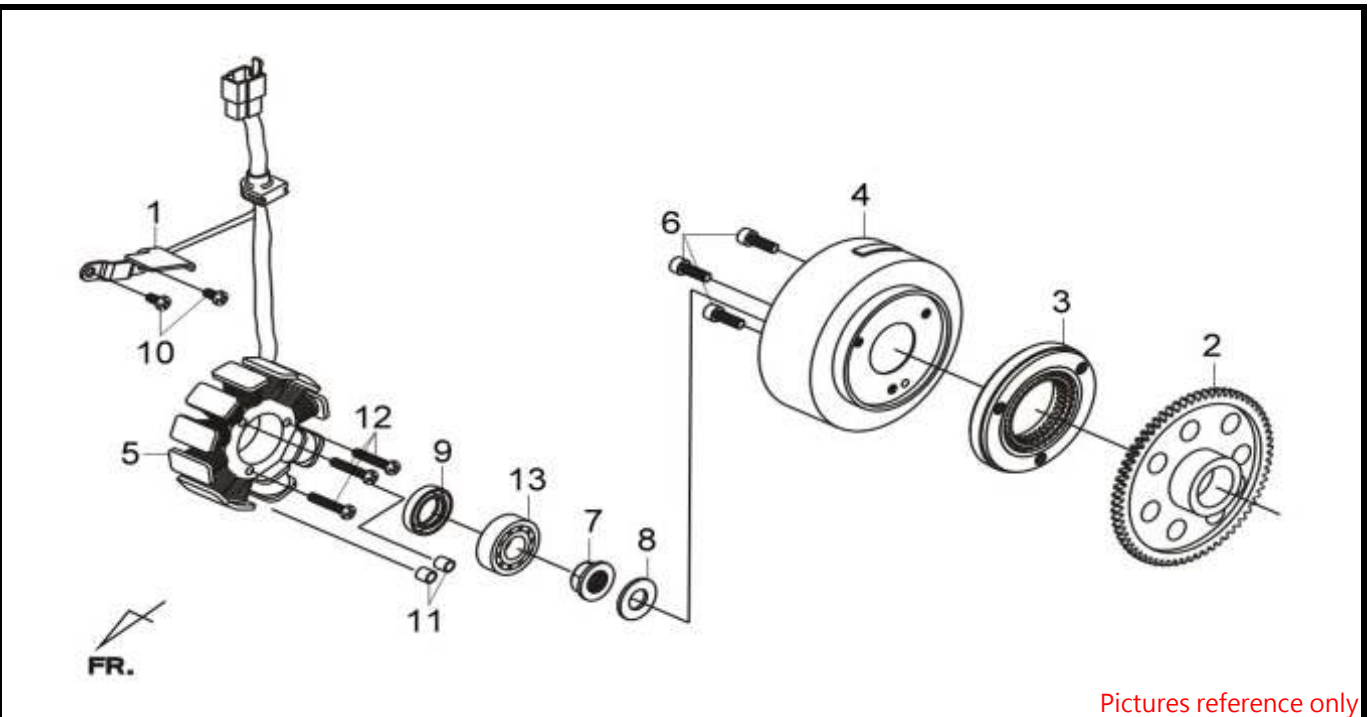
●Please check the color & stripe information according to the color index !

2013/04

PRICE SHOWN IS PER PIECE. PRODUCT IMAGE PRICES ARE APPROXIMATE GUIDE ONLY.
PRICES SHOWN ARE SUBJECT TO CHANDE WITHOUT PRIOR NOTICE.

E15
FLYWHEEL & STATOR

LN25W1-6C (JOYMAX250
CKD TO 馬來西亞)



Pictures reference only

NO	PARTS NUMBER	SELLING PRICE (RM / UNIT)	DESCRIPTION	QTY	EFFECTIVE DATE
1	15713-HMC-010	4.10	OIL BAFFLEPLATE	1	
2	28110-HMA-000	105.70	STARTING CLUTCH GEAR COMP	1	
3	2812A-L3A-000	308.50	ONE WAY CLUTCH ASSY	1	
4	31110-L3A-000	257.10	FLYWHEEL COMP	1	
5	31120-L3A-000	272.60	STATOR COMP	1	
6	90157-F3G-000	1.70	SOCKET BOLT 8X20	3	
7	90201-KR8-751-M1	4.80	FLANGE NUT 14MM	1	
8	90401-KJ9-000	2.80	THRUST WASHER 14X28X2	1	
9	91202-HMA-000	3.80	OIL SEAL	1	
10	93500-05016-0A	0.80	PAN SCREW 5X16	2	
11	94301-08140	1.00	DOWEL PIN 8X14	2	
12	96001-06030-00	1.30	FLANGE BOLT SH 6X30	3	
13	96140-62013-10	14.40	RADIAL BALL BRG. 6201LUC3	1	

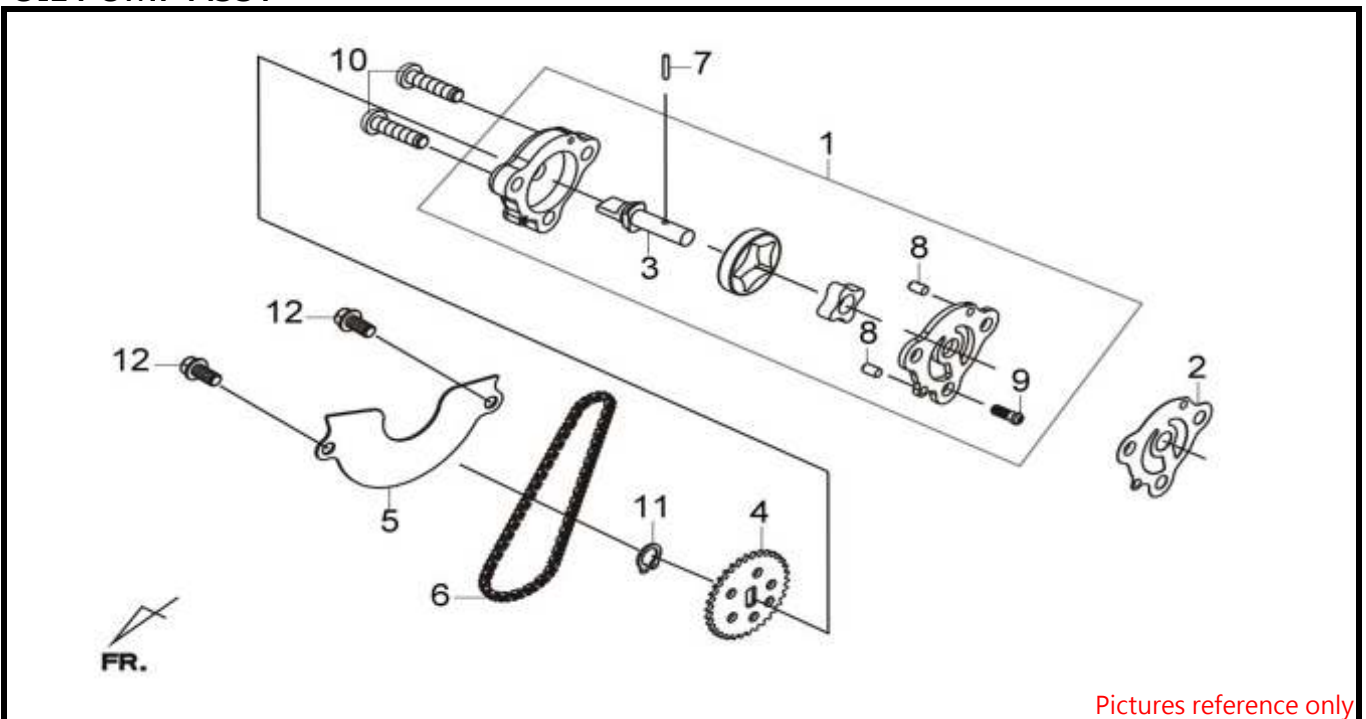
●Please check the color & stripe information according to the color index !

TEAMWORLD IND.
2013/04

PRICE SHOWN IS PER PIECE. PRODUCT IMAGE PRICES ARE APPROXIMATE GUIDE ONLY.
PRICES SHOWN ARE SUBJECT TO CHANDE WITHOUT PRIOR NOTICE.

E16
OIL PUMP ASSY

LN25W1-6C (JOYMAX250
CKD TO 馬來西亞)



Pictures reference only

NO	PARTS NUMBER	SELLING PRICE (RM / UNIT)	DESCRIPTION	QTY	EFFECTIVE DATE
1	15100-HMA-000	42.90	OIL PUMP ASSY.	1	
2	15126-B8A-000	1.70	OIL PUMP GASKET	1	
3	15132-HMA-000	10.20	OIL PUMP SHAFT	1	
4	15133-HMA-000	15.30	OIL PUMP DRIVEN SPROCKET	1	
5	15711-HML-000	3.30	OIL SEPARATER	1	
6	1C15141-HMA-000	37.70	OIL PUMP CHAIN 92RH2005-48	1	
7	91101-HMA-000	1.70	PIN 2.5*11.8	1	
8	91103-A3F-000	2.50	ROLLER 3*9.8	2	
9	93500-03008-1A	0.80	PAN SCREW 3X8	1	
10	93500-06025-0H	0.40	PAN SCREW	2	
11	94510-10000	0.80	CIR CLIP 10MM	1	
12	96001-06012-08	0.80	FLANGE BOLT SH 6X12	2	

TEAMWORLD IND.

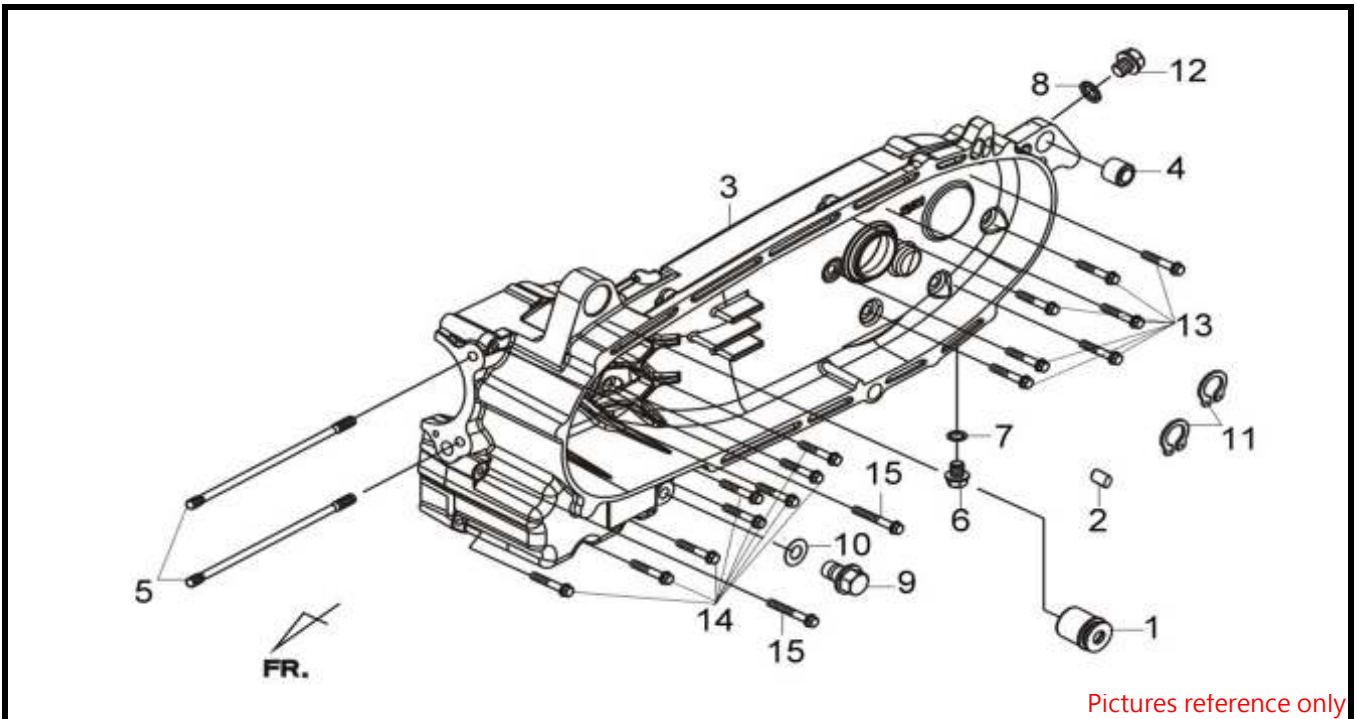
● Please check the color & stripe information according to the color index !

2013/04

PRICE SHOWN IS PER PIECE. PRODUCT IMAGE PRICES ARE APPROXIMATE GUIDE ONLY.
PRICES SHOWN ARE SUBJECT TO CHANDE WITHOUT PRIOR NOTICE.

E17
L. CRANK CASE COMP

LN25W1-6C (JOYMAX250
CKD TO 馬來西亞)



Pictures reference only

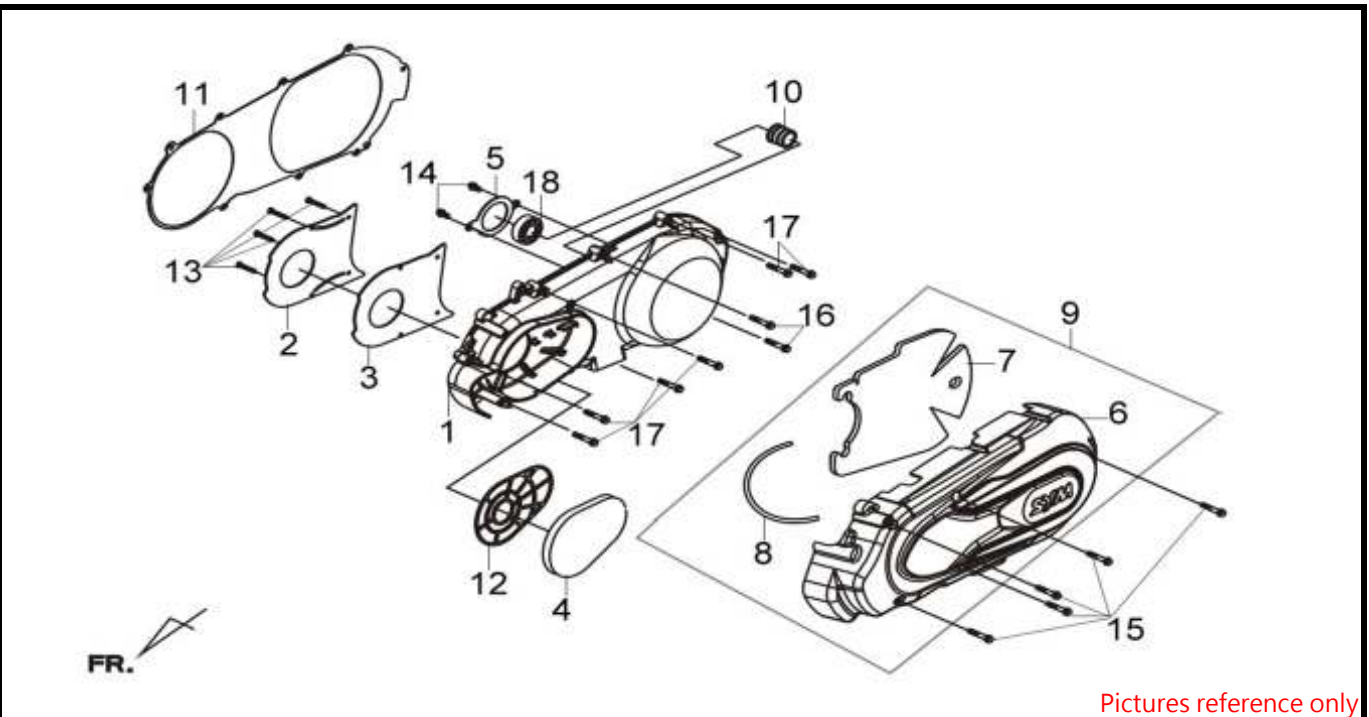
NO	PARTS NUMBER	SELLING PRICE (RM / UNIT)	DESCRIPTION	QTY	EFFECTIVE DATE
1	11120-LEA-000	44.50	ENGINE HANGER BUSH ASSY	1	
2	11133-A1A-300	1.90	OIL ORIFICE 6X5	1	
3	11200-L2A-000	503.90	L. CRANK CASE COMP	1	
4	11203-GC7-300	3.80	RR. CUSH UND BUSH RUBBER	1	
5	90032-HMA-000	8.90	CYLINDER STUD BOLT B	2	
6	90103-KN8-000	1.00	SPECIAL BOLT 8MM	1	
7	90474-M9Q-000	0.40	WASHER 8X16	1	
8	90481-M9Q-100	0.80	PLAIN WASHER 10.2MM	1	
9	92800-12000	2.60	DRAIN PLUG BOLT 12MM	1	
10	94109-12000	1.00	DRAIN PLUG WASHER 12MM	1	
11	94510-20000	1.00	EX. CIR CLIP 20MM	2	
12	95701-10012-08	1.70	FLANGE BOLT 10X12	1	
13	95801-08050-08	2.50	FLANGE BOLT 8*50	7	
14	96001-06050-00	0.80	FLANGE BOLT SH 6X50	8	
15	96001-06070-00	1.30	FLANGE SH BOLT 6X70	2	

TEAMWORLD IND.

● Please check the color & stripe information according to the color index !

2013/04

PRICE SHOWN IS PER PIECE. PRODUCT IMAGE PRICES ARE APPROXIMATE GUIDE ONLY.
PRICES SHOWN ARE SUBJECT TO CHANDE WITHOUT PRIOR NOTICE.



Pictures reference only

NO	PARTS NUMBER	SELLING PRICE (RM / UNIT)	DESCRIPTION	QTY	EFFECTIVE DATE
1	11341-HMA-000	274.20	L. CASE COVER	1	
2	11342-HMA-000	8.30	L. CASE COVER PLATE	1	
3	11343-HMA-000	3.50	L. CASE COVER PLATE GASKET	1	
4	11344-HMA-000	9.00	L. SIDE CVOER ELEMENT	1	
5	11346-HMA-000	3.50	L. BEARING SETTING PLATE	1	
6	11351-HMA-000-GYK	185.20	L. OUTER COVER(GY-7450U/BK-001U)	1	
7	11352-HMA-000	18.00	L. OUTER COVER SPONGE	1	
8	11353-HMA-000	3.50	L. OUTER COVER SEAL	1	
9	1135A-HMA-000-GYK	260.60	L. OUTER COVER ASSY(GY-7450U/BK-001U)	1	
10	1137A-HMA-000	44.60	BERING STAY COLLAR ASSY	1	
11	11395-HMA-000	12.70	L. CRANK CASE COVER GASKET	1	
12	17221-LEA-000	45.90	TRAP COMP.	1	
13	93500-05012-0H	0.80	PAN SCREW 5X12	5	
14	96001-06012-00	0.80	FLANGE BOLT SH 6X12	2	
15	96001-06018-07	0.80	SH. FLANGE BOLT	5	
16	96001-06030-00	1.30	FLANGE BOLT SH 6X30	2	
17	96001-06035-00	1.30	FLANGE SH BOLT 6X35	6	
18	96150-60060-10	39.40	RADIAL BALL BEARING 6006LLU	1	

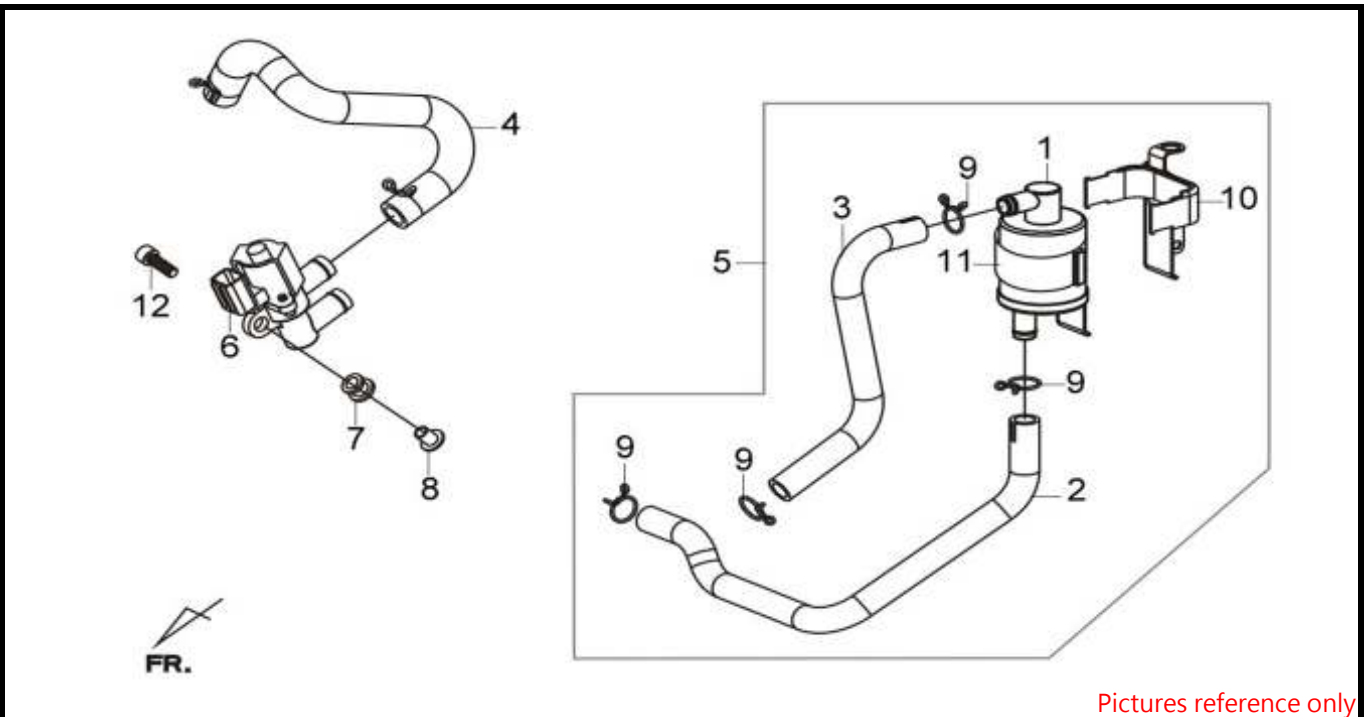
●Please check the color & stripe information according to the color index !

 TEAMWORLD IND.

2013/04

E19
A.I.S.V.ASSY

LN25W1-6C (JOYMAX250
CKD TO 馬來西亞)



NO	PARTS NUMBER	SELLING PRICE (RM / UNIT)	DESCRIPTION	QTY	EFFECTIVE DATE
1	17570-HMC-000	61.70	A.I.A.C. COMP	1	
2	17571-L3A-000	17.10	A.I.C.V. TUBE A	1	
3	17574-L2A-000	12.70	A.I.C.V. TUBE B	1	
4	17576-L2A-010	20.60	A.I.S.V. REED VALVE JOINT	1	
5	1757A-L3A-000	87.50	A.I.A.C. ASSY	1	
6	17590-HMC-000	209.10	A.I.S.V. ASSY	1	
7	17591-HMC-000	1.70	A.I.S.V.RUBBER	1	
8	17592-HMC-000	1.70	A.I.S.V.COLLAR	1	
9	18533-M7Q-000	3.30	AIR HOSE CLIP 19	4	
10	18659-L2A-000	12.10	A.I.S.V STAY	1	
11	18811-N14-000	5.20	A.I.C.V. SETTING BAND	1	
12	93891-05016-07	1.30	WASHER SCREW 5X16	1	

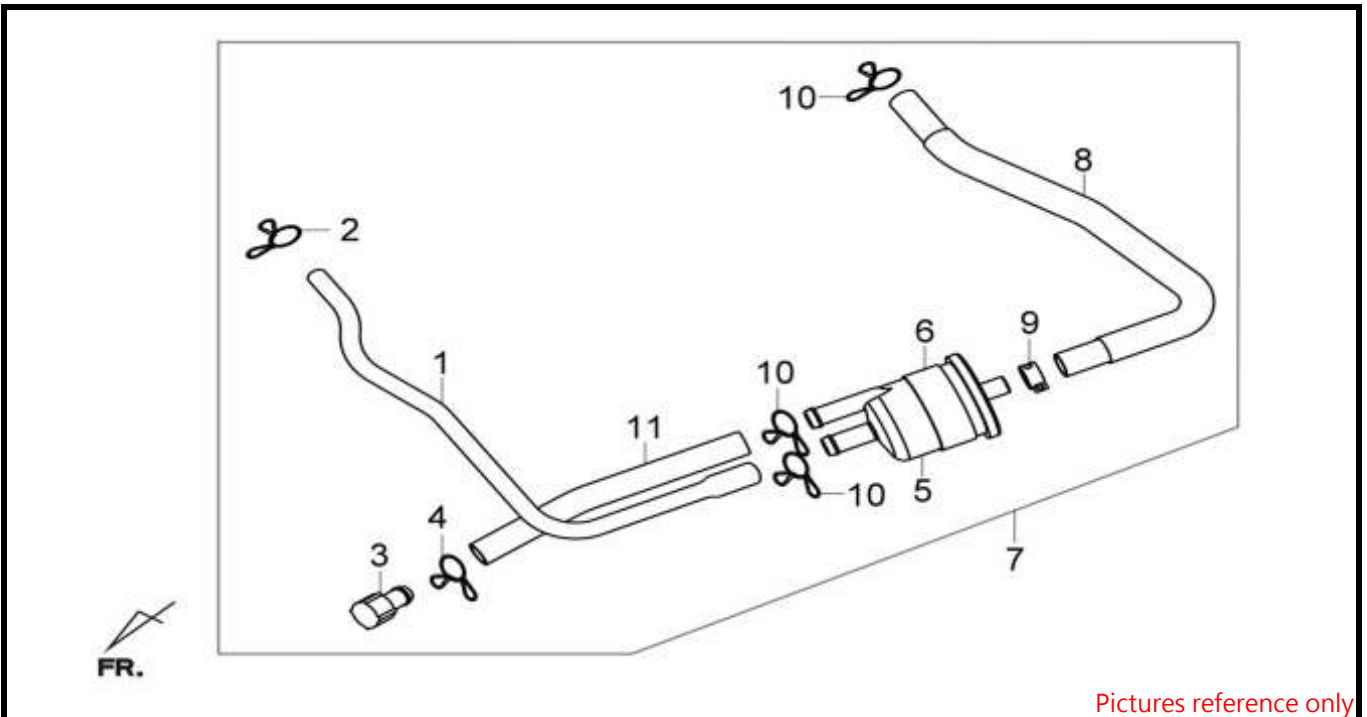
 TEAMWORLD IND.
2013/04

● Please check the color & stripe information according to the color index !

PRICE SHOWN IS PER PIECE. PRODUCT IMAGE PRICES ARE APPROXIMATE GUIDE ONLY.
PRICES SHOWN ARE SUBJECT TO CHANDE WITHOUT PRIOR NOTICE.

E20
BREATHER CHAMBER

LN25W1-6C (JOYMAX250
CKD TO 馬來西亞)



Pictures reference only

NO	PARTS NUMBER	SELLING PRICE (RM / UNIT)	DESCRIPTION	QTY	EFFECTIVE DATE
1	11211-L3A-000	21.60	BREATHER TUBE	1	
2	15772-500-013	2.80	BREATHER TUBE CLIP	1	
3	17370-M9Q-000	3.30	PLUG,BREATHER TUBE.	1	
4	17371-M9Q-000	0.80	BREATHER TUBE CLIP	1	
5	17380-H6A-000	34.40	BREATHER CHAMPER COMP	1	
6	17385-H6A-000	6.90	CHAMBER SETTING BAND	1	
7	1738A-L3A-000	53.10	BREATHER CHAMBER ASSY	1	
8	17562-L2A-000	12.70	P.C.V./A.C. TUBE	1	
9	90682-V02-900	3.10	TUBE CLAMPER D11.5	1	
10	95002-80000	1.00	TUBE CLIP C12	3	
11	95003-23022-60	5.20	V TUBE(8X12X220)	1	

●Please check the color & stripe information according to the color index !

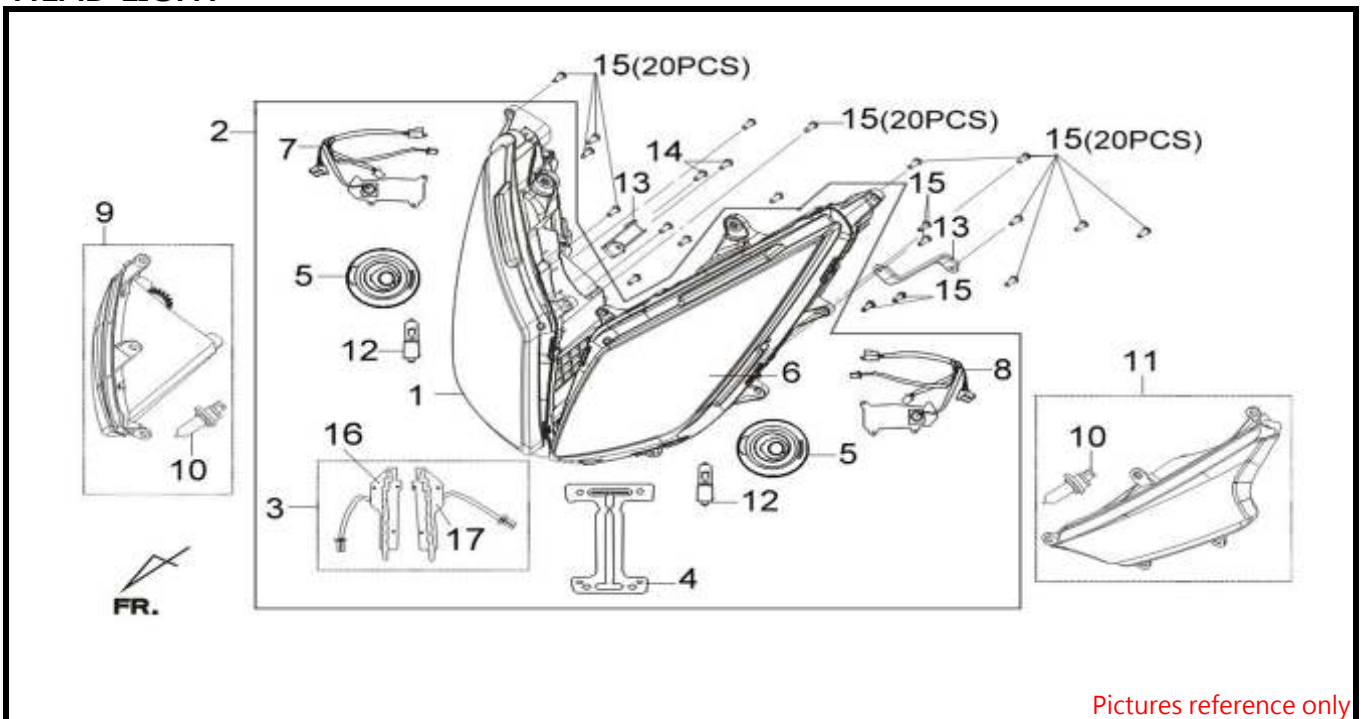
TEAMWORLD IND.

2013/04

PRICE SHOWN IS PER PIECE. PRODUCT IMAGE PRICES ARE APPROXIMATE GUIDE ONLY.
PRICES SHOWN ARE SUBJECT TO CHANDE WITHOUT PRIOR NOTICE.

F01
HEAD LIGHT

LN25W1-6C (JOYMAX250
CKD TO 馬來西亞)



Pictures reference only

NO	PARTS NUMBER	SELLING PRICE (RM / UNIT)	DESCRIPTION	QTY	EFFECTIVE DATE
1	33102-L3A-004	377.10	R. HEAD LIGHT UNIT	1	
2	3310A-L3A-004	815.80	HEAD LIGHT SET	1	
3	3311A-L3A-000	188.50	LED	1	
3	*3311A-L3A-001	294.80	LED	1	2014/06/03
4	33124-FFA-000	25.60	HEAD LIGHT BRKT	1	
5	33139-L3A-000	17.10	DUST COVER	2	
6	33152-L3A-004	377.10	L. HEAD LIGHT UNIT	1	
7	33180-L3A-000	46.30	R. HEAD LIGHT SOCKET COMP	1	
8	33181-L3A-000	46.30	L. HEAD LIGHT SOCKET COMP	1	
9	33310-L3A-000	212.60	R. FR. FOGGY LAMP ASSY	1	
10	33315-L3A-000	51.40	FOGGY LAMP BULB(12V 21W)	2	
11	33320-L3A-000	212.60	L. FR. FOGGY LAMP ASSY	1	
12	34901-HE1-000	63.40	HEAD LIGHT BULB	2	
13	64308-L3A-000	4.10	FR. COVER BRKT	2	
14	93903-34320	0.60	TAPPING SCREW 4X12	2	
15	93903-35320	0.80	TAPPING SCREW 5X16	20	
16	*33106-L3A-000	99.40	R HEAD LIGHT BASEPLATE ASSY	1	2013/11/01
17	*33156-L3A-000	99.40	L HEAD LIGHT BASEPLATE ASSY	1	2013/11/01

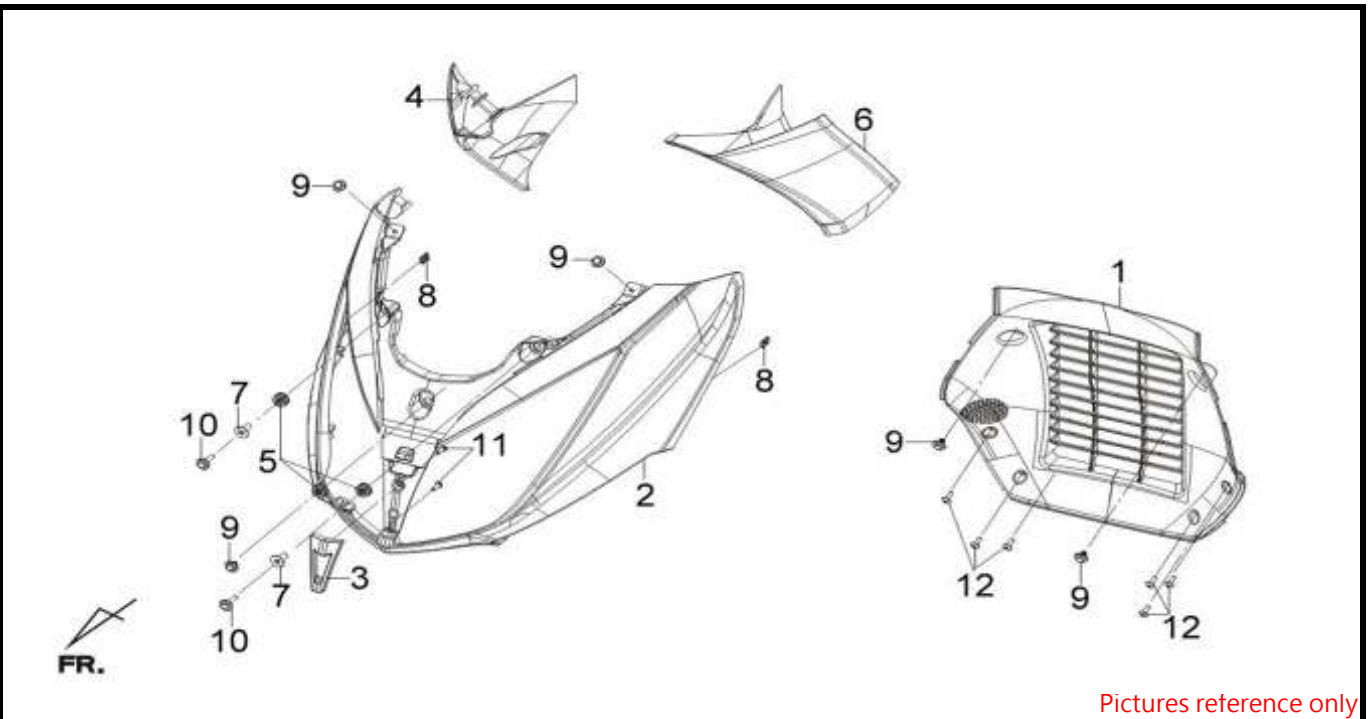
● Please check the color & stripe information according to the color index !

TEAMWORLD IND.
2013/04

PRICE SHOWN IS PER PIECE. PRODUCT IMAGE PRICES ARE APPROXIMATE GUIDE ONLY.
PRICES SHOWN ARE SUBJECT TO CHANDE WITHOUT PRIOR NOTICE.

F02
FR. COVER

LN25W1-6C (JOYMAX250)
CKD TO 馬來西亞

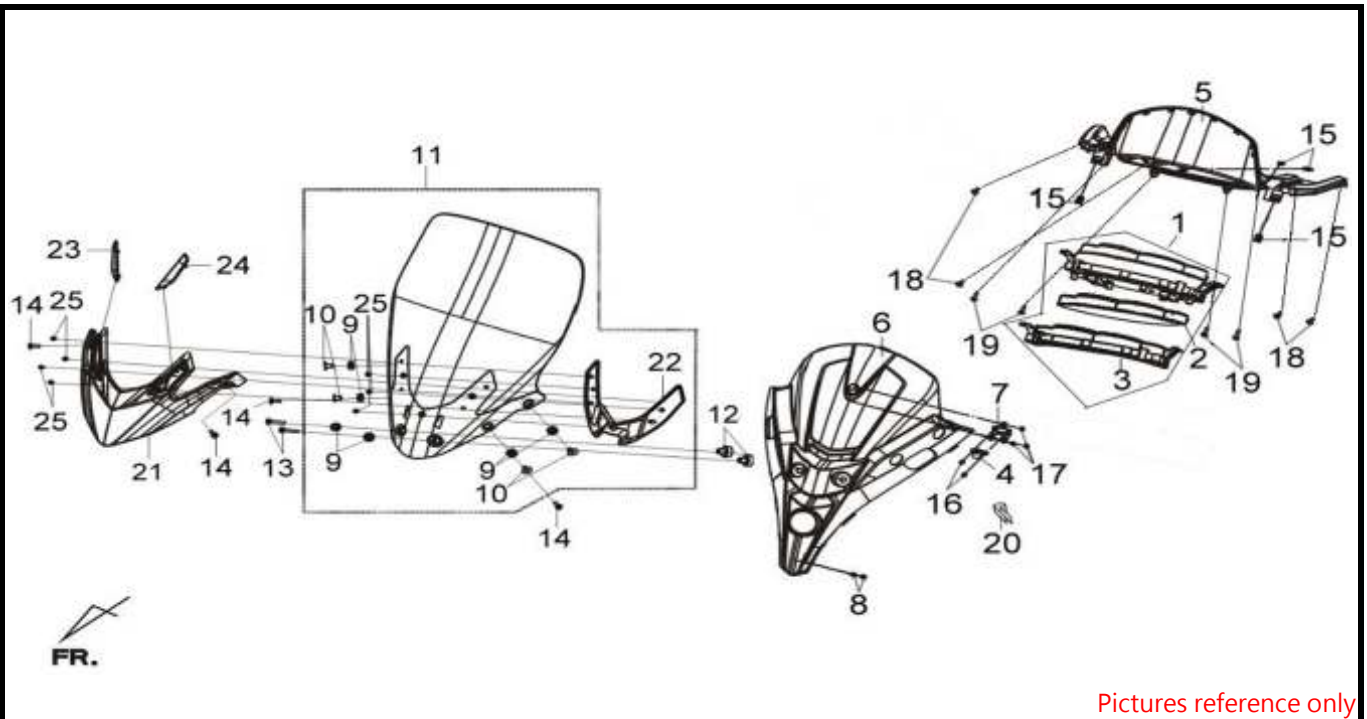


NO	PARTS NUMBER	SELLING PRICE (RM / UNIT)	DESCRIPTION	QTY	EFFECTIVE DATE
1	64300-L3A-001-IL	102.90	FR. UNDER SPOILER(GY-7450U)	1	2013/10/07
2	64301-L3A-000-QU	190.20	FR COVER(WH-300P)	1	
2	64301-L3A-000-KX	190.20	FR. COVER(BK-231S)	1	2013/05/14
2	64301-L3A-000-IP	190.20	FR COVER(GY-517S)	1	2013/05/14
2	64301-L3A-000-IL	190.20	FR COVER(GY-7450U)	1	2013/10/07
3	64303-L3A-000	32.50	FR. COVER EMBLEM (MRCR2)	1	
4	64304-L3A-000-QU	87.50	R. SIDE SPOILER(WH-300P)	1	
4	64304-L3A-000-KX	87.50	R. SIDE SPOILER(BK-231S)	1	2013/05/14
4	64304-L3A-000-IP	87.50	R. SIDE SPOILER(GY-517S)	1	2013/05/14
4	64304-L3A-000-IL	87.50	R. SIDE SPOILER(GY-7450U)	1	2013/10/07
5	64304-X01-000	1.30	FR. COVER RUBBER	3	
6	64305-L3A-000-QU	87.50	L. SIDE SPOILER(WH-300P)	1	
6	64305-L3A-000-KX	87.50	L. SIDE SPOILER(BK-231S)	1	2013/05/14
6	64305-L3A-000-IP	87.50	L. SIDE SPOILER(GY-517S)	1	2013/05/14
6	64305-L3A-000-IL	87.50	L. SIDE SPOILER(GY-7450U)	1	2013/10/07
7	64306-L3A-000	6.90	FR. COVER COLLAR	2	
8	90302-M92-000	0.80	SPRING NUT 4MM	2	
9	93404-06012-07	0.80	WASHER BOLT 6X12	5	
10	93404-06035-07	1.00	WASHER BOLT 6X35	2	
11	93903-34320	0.60	TAPPING SCREW 4X12	2	
12	93903-35380	0.40	TAPPING SCREW 5X16	6	

PRICE SHOWN IS PER PIECE. PRODUCT IMAGE PRICES ARE APPROXIMATE GUIDE ONLY.
PRICES SHOWN ARE SUBJECT TO CHANDE WITHOUT PRIOR NOTICE.

F03
METER & WIND SCREEN

LN25W1-6C (JOYMAX250
CKD TO 馬來西亞)



Pictures reference only

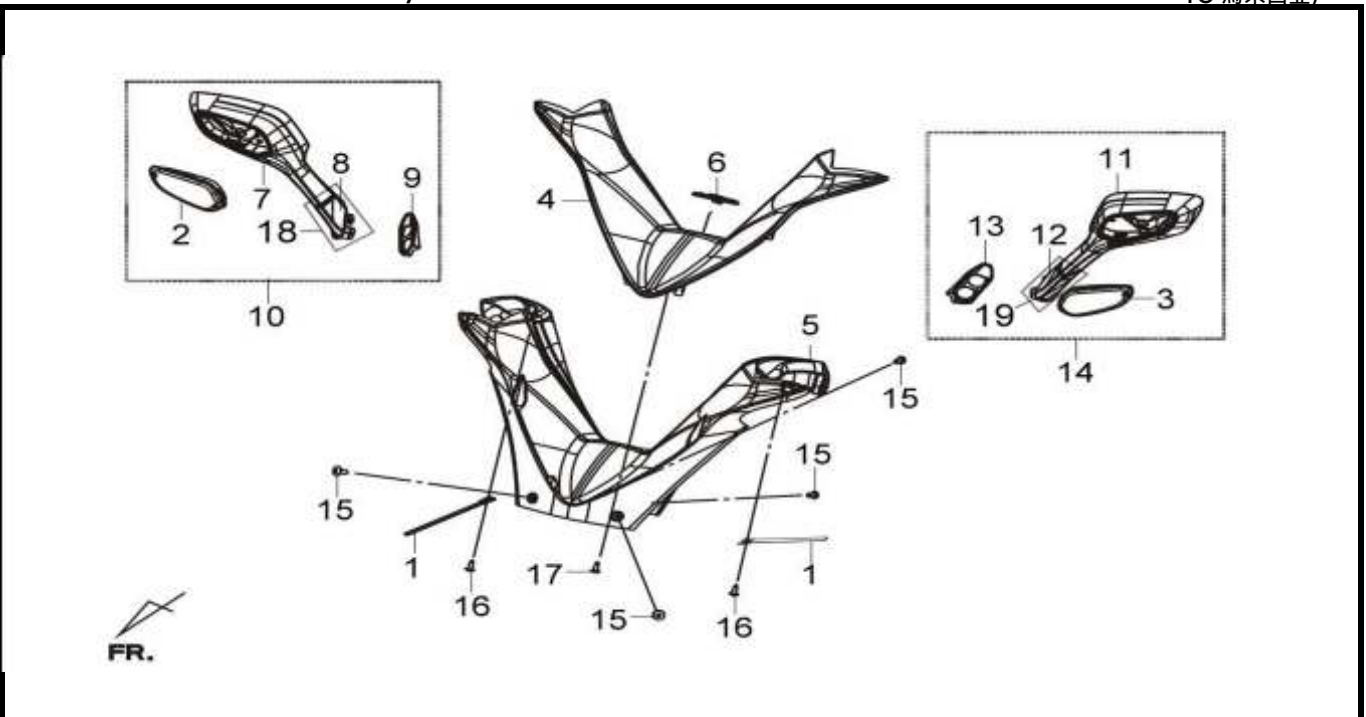
NO	PARTS NUMBER	SELLING PRICE (RM / UNIT)	DESCRIPTION	QTY	EFFECTIVE DATE
1	37200-L2H-000	1165.50	METER ASSY	1	
2	37211-L3A-000	154.20	METER LENS	1	
3	37215-L3A-000	82.30	METER INNER CASE LENS	1	
4	38900-L3A-000	106.20	AUTO LIGHT SENSOR	1	
5	53208-L3A-000-KA	24.00	METER PANEL(BK-001U)	1	2013/10/07
6	5320G-L3A-000-IL	111.40	METER VISOR SUB ASSY(GY-7450U)	1	2013/10/07
7	53215-L3A-000	9.30	LIGHT SENSOR STAY	1	
8	61312-149-300	1.70	HEAD LIGHT BRKT.Boot	2	
9	64304-X01-000	1.30	FR. COVER RUBBER	6	
10	67101-L3A-000	4.10	WIND SCREEN COLLAR	4	
11	6710A-L3A-000-IL	336.00	WIND SCREEN SET(GY-7450U)	1	2013/10/07
11	*6710A-L3A-010-IL	313.70	WIND SCREEN SET(GY-7450U)	1	2014/11/03
12	90112-L3A-000	8.20	SPECIAL COLLAR	2	
13	90116-L2A-000	4.10	SPECIAL BOLT 6MM	2	
14	90116-L3A-000	3.30	SPECIAL BOLT 6MM	4	
14	*90116-L1P-000	5.80	SPECIAL BOLT 6MM	4	2014/11/03
15	90302-M92-000	0.80	SPRING NUT 4MM	4	
16	93891-04010-07	1.30	WASHER SCREW 4*10	2	
17	93903-34320	0.60	TAPPING SCREW 4X12	3	
18	93903-35280	0.50	TAPPING SCREW 5X12	4	
19	93903-35320	0.80	TAPPING SCREW 5X16	4	
20	*94592-A5W-000	1.70	CABLE CLAMP (1/14")	1	2013/06/01
21	*67110-L1P-000-JH	61.70	WIND SCREEN GARNISH(BK-001UL)	1	2014/11/03
22	*67112-L1P-000	10.20	WIND SCREEN COVER	1	2014/11/03
23	*67110-L1P-000-JH	12.90	WIND SCREEN GARNISH RH COVER(BK-001	1	2014/11/03

PRICE SHOWN IS PER PIECE. PRODUCT IMAGE PRICES ARE APPROXIMATE GUIDE ONLY.
PRICES SHOWN ARE SUBJECT TO CHANGE WITHOUT PRIOR NOTICE.

24	*67121-L1P-000-JH	12.10	WIND SCREEN GARNISH LH COVER(BK-001	1	2014/11/03
25	93903-34380	0.60	TAPPING SCREW 4X12	7	



PRICE SHOWN IS PER PIECE. PRODUCT IMAGE PRICES ARE APPROXIMATE GUIDE ONLY.
 PRICES SHOWN ARE SUBJECT TO CHANDE WITHOUT PRIOR NOTICE.



N O	PARTS NUMBER	SELLING PRICE (RM / UNIT)	DESCRIPTION	QTY	EFFECTIVE DATE
1	32160-A3A-900	3.30	WIRE BAND 200X8	2	
2	33400-L3A-000	281.00	R. FR. WINKER LAMP ASSY	1	
3	33450-L3A-000	281.00	L. FR. WINKER LAMP ASSY	1	
4	53204-L3A-000-QU	61.70	UP HANDLE COVER A(WH-300P)	1	
4	53204-L3A-000-KX	61.70	UP HANDLE COVER A(BK-231S)	1	2013/05/14
4	53204-L3A-000-IP	84.00	UP HANDLE COVER A(GY-517S)	1	2013/05/14
4	53204-L3A-000-IL	61.70	UP HANDLE COVER A(GY-7450U)	1	2013/10/07
5	53205-L3A-000-KA	30.80	UP HANDLE COVER B(BK-001U)	1	2013/10/07
6	87553-VS1-100	24.00	FR.COVER LID EMBLEM	1	
7	88110-L3A-008-QU	294.80	R. BACK MIRROR COMP-WITHOUT WINKER(WH-30	1	
7	88110-L3A-008-KX	294.80	R. BACK MIRROR COMP-WITHOUT WINKER(BK-23	1	2013/05/14
7	88110-L3A-008-IP	294.80	R. BACK MIRROR COMP-WITHOUT WINKER(GY-51	1	2013/05/14
7	88110-L3A-008-IL	294.80	R. BACK MIRROR COMP-WITHOUT WINKER(GY-74	1	2013/10/07
8	88111-L3A-000	24.00	R. BASE COVER	1	
9	88112-L3A-000	9.30	R. PAD	1	
10	8811A-L3A-007-QU	507.20	R. BACK MIRROR SET(WH-300P)	1	
10	8811A-L3A-007-KX	507.20	R. BACK MIRROR SET(BK-231S)	1	2013/05/14
10	8811A-L3A-007-IP	507.20	R. BACK MIRROR SET(GY-517S)	1	2013/05/14
10	8811A-L3A-007-IL	507.20	R. BACK MIRROR SET(GY-7450U)	1	2013/10/07
11	88120-L3A-008-QU	294.80	L. BACK MIRROR COMP-WITHOUT WINKER(WH-30	1	
11	88120-L3A-008-KX	294.80	L. BACK MIRROR COMP-WITHOUT WINKER(BK-23	1	2013/05/14

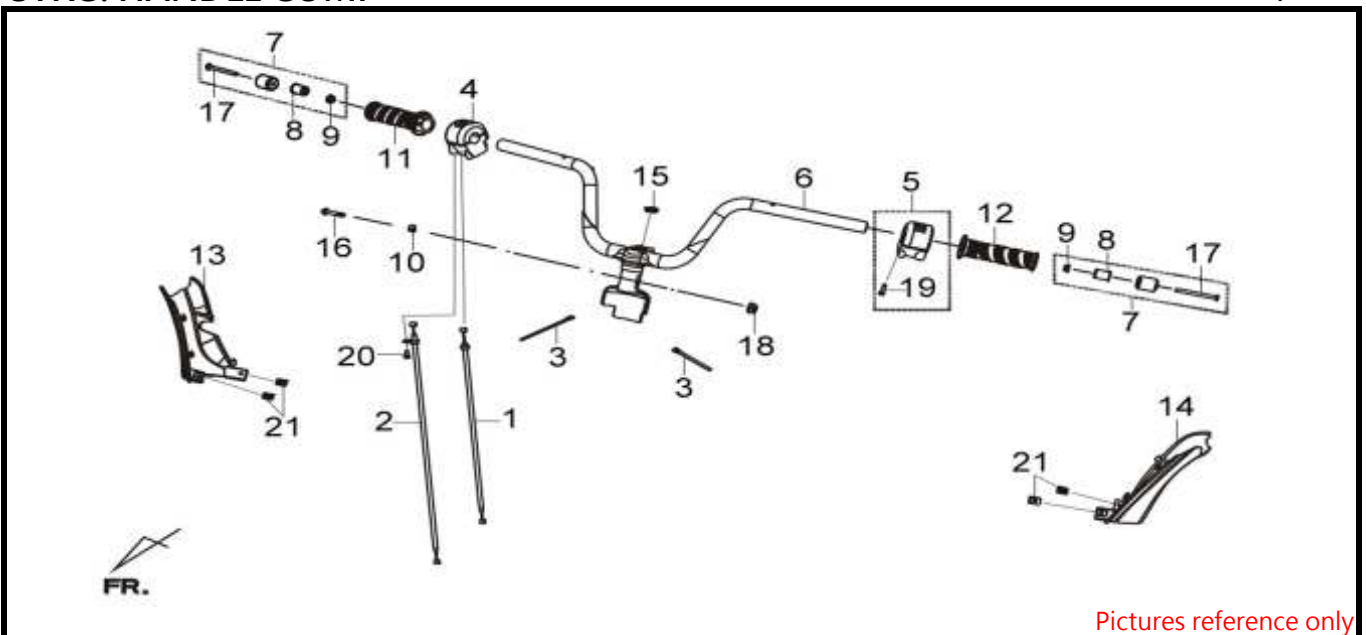
PRICE SHOWN IS PER PIECE. PRODUCT IMAGE PRICES ARE APPROXIMATE GUIDE ONLY.
PRICES SHOWN ARE SUBJECT TO CHANDE WITHOUT PRIOR NOTICE.

11	88120-L3A-008-IP	294.80	L. BACK MIRROR COMP-WITHOUT WINKER(GY-51	1	2013/05/14
11	88120-L3A-008-IL	294.80	L. BACK MIRROR COMP-WITHOUT WINKER(GY-74	1	2013/10/07
12	88121-L3A-000	24.00	L. BASE COVER	1	
13	88122-L3A-000	9.30	L. PAD	1	
14	8812A-L3A-007-QU	507.20	L. BACK MIRROR SET(WH-300P)	1	
14	8812A-L3A-007-KX	507.20	L. BACK MIRROR SET(BK-231S)	1	2013/05/14
14	8812A-L3A-007-IP	507.20	L. BACK MIRROR SET(GY-517S)	1	2013/05/14
14	8812A-L3A-007-IL	507.20	L. BACK MIRROR SET(GY-7450U)	1	2013/10/07
15	90302-M92-000	0.80	SPRING NUT 4MM	4	
16	93903-34320	0.60	TAPPING SCREW 4X12	2	
17	93903-35120	0.80	TAPPING SCREW 5*10	1	
18	88116-L3A-000	107.30	R. BACK MIRROR BASE	1	2013/02/25
19	88126-L3A-000	107.30	L. BACK MIRROR BASE	1	2013/02/25

●Please check the color & stripe information according to the color index !

F05
STRG. HANDLE COMP

LN25W1-6C (JOYMAX250
CKD TO 馬來西亞)



Pictures reference only

NO	PARTS NUMBER	SELLING PRICE (RM / UNIT)	DESCRIPTION	QTY	EFFECTIVE DATE
1	17910-L3A-000	41.10	THROT. CABLE COMP A	1	
2	17920-L3A-000	41.10	THROT. CABLE COMP B	1	
3	32160-A3A-900	3.30	WIRE BAND 200X8	2	
4	35150-L4C-000	111.40	R. HANDLE SW. ASSY	1	
5	35200-HNL-000	120.00	L. HANDLE SW. ASSY	1	
6	53100-L3A-000	137.10	STRG. HANDLE COMP	1	
7	53104-N02-000	31.50	HANDLE PIPE WT. ASSY.	2	
8	53106-N02-000	6.90	HANDLE WEIGHT RUBBER	2	
9	53108-N02-000	1.30	SPECIAL NUT 6MM	2	
10	53125-M9Q-000	8.60	HANDLE SET COLLAR	1	
11	53140-L4A-000	20.20	THROT GRIP COMP BK-001U	1	
12	53166-L4A-000	18.50	L HANDLE GRIP BK-001U	1	
13	53206-HMA-900	15.40	R HANDLE COVER	1	
14	53207-HMA-900	15.40	L. HANDLE COVER	1	
15	61105-RCA-000	3.30	FR.FENDER GROMMET	1	
16	90106-M9Q-000	3.10	FLANGE BOLT 10X50	1	
17	90118-N02-000	6.90	HNDL. WT. BOLT	2	
18	90304-M9Q-800	2.80	FLANGE U NUT 10MM	1	
19	93500-05025-0G	1.00	PAN SCREW 5*25	1	
20	93891-05012-07	0.80	WASHER SCREW 5X12	1	
21	93903-24380	0.60	TAPPING SCREW 4X12	4	

● Please check the color & stripe information according to the color index !

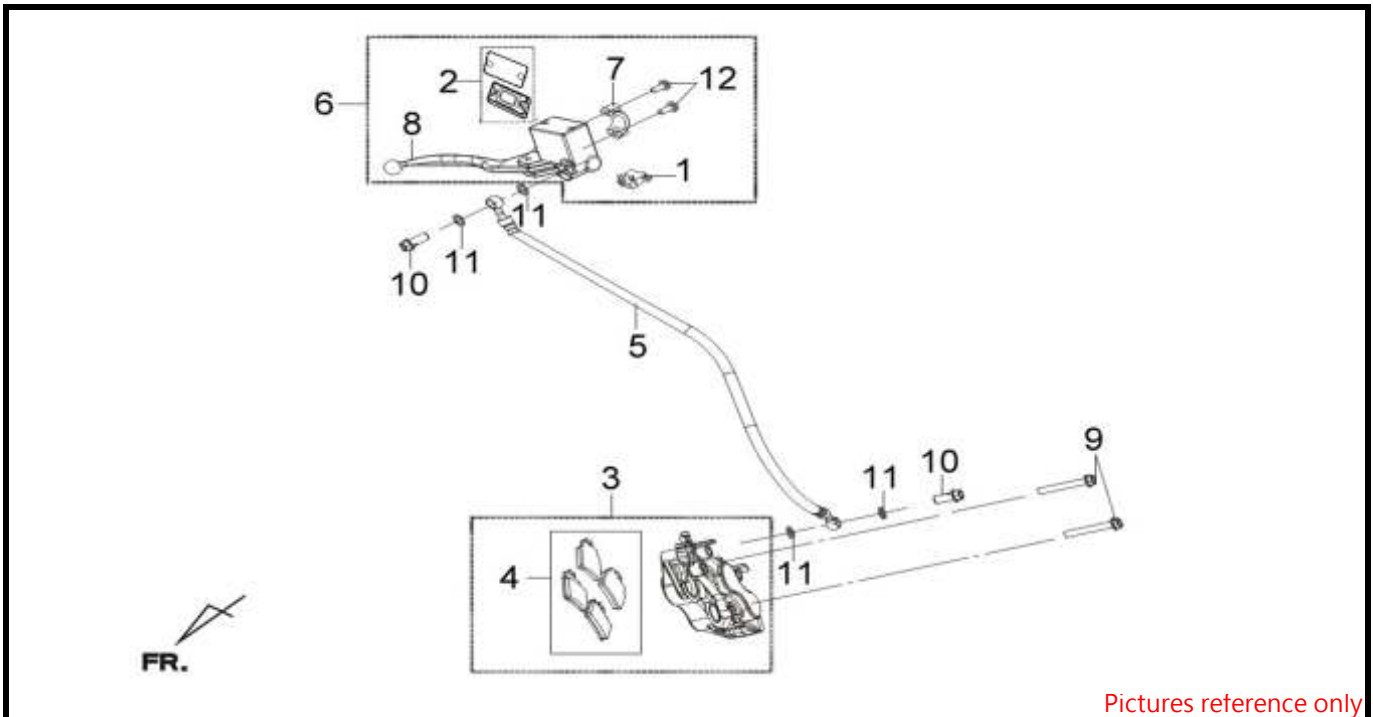
TEAMWORLD IND.

2013/04

PRICE SHOWN IS PER PIECE. PRODUCT IMAGE PRICES ARE APPROXIMATE GUIDE ONLY.
PRICES SHOWN ARE SUBJECT TO CHANDE WITHOUT PRIOR NOTICE.

F06
FR. BRAKE

LN25W1-6C (JOYMAX250
CKD TO 馬來西亞)



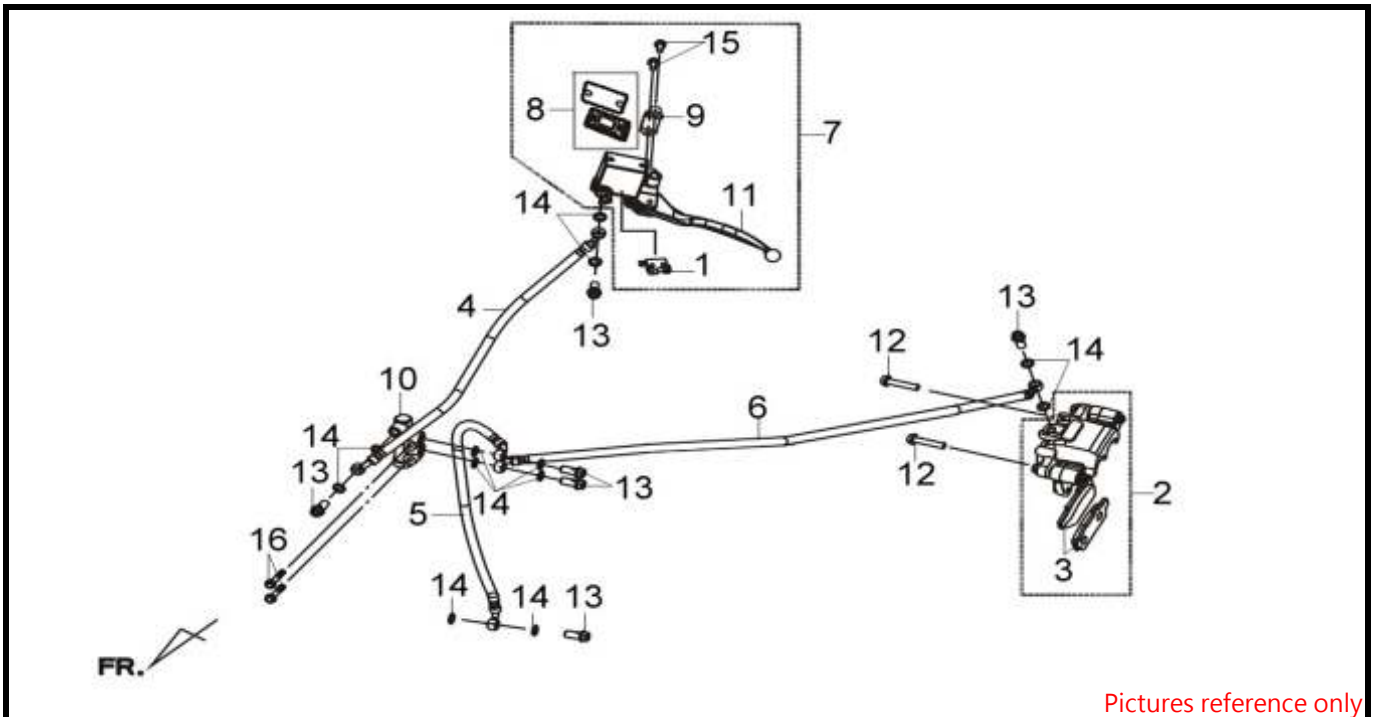
Pictures reference only

NO	PARTS NUMBER	SELLING PRICE (RM / UNIT)	DESCRIPTION	QTY	EFFECTIVE DATE
1	35340-KBN-900	10.20	FR. STOP SW. ASSY(R)	1	
2	43502-HMA-000	8.90	FF./FR. BRAKE M/C LID	1	
3	45100-HMA-000	497.00	FR.CALIPER ASSY S-877C	1	
3	*45100-L3A-000	445.60	FR.CALIPER ASSY S-877C	1	2014/12/01
4	45105-HMA-000-A	133.70	FR. BRAKE PAD SET(4PCS/1SET)(NON-ASBESTO	1	
4	*45105-L3A-000-A	120.00	FR. BRAKE PAD SET(4PCS/1SET)	1	2014/12/01
5	45126-L3A-000	125.20	FR. BRAKE HOSE	1	
6	45500-L3A-000	216.00	FR. M/C ASSY	1	
7	45517-TFA-000	17.10	M/C HOLDER	1	
8	53175-HMA-000	22.30	R.HANDLE LEVER	1	
9	90104-H5K-000	2.50	FLANGE BOLT 8X40	2	
10	90145-M9Q-000	3.30	OIL BOLT 10X22	2	
11	90545-M9Q-000	1.00	OIL BOLT WASHER	4	
12	95801-06022-07	0.80	FLANGE BOLT 6X22	2	

●Please check the color & stripe information according to the color index !

 **TEAMWORLD IND.**
2013/04

PRICE SHOWN IS PER PIECE. PRODUCT IMAGE PRICES ARE APPROXIMATE GUIDE ONLY.
PRICES SHOWN ARE SUBJECT TO CHANDE WITHOUT PRIOR NOTICE.

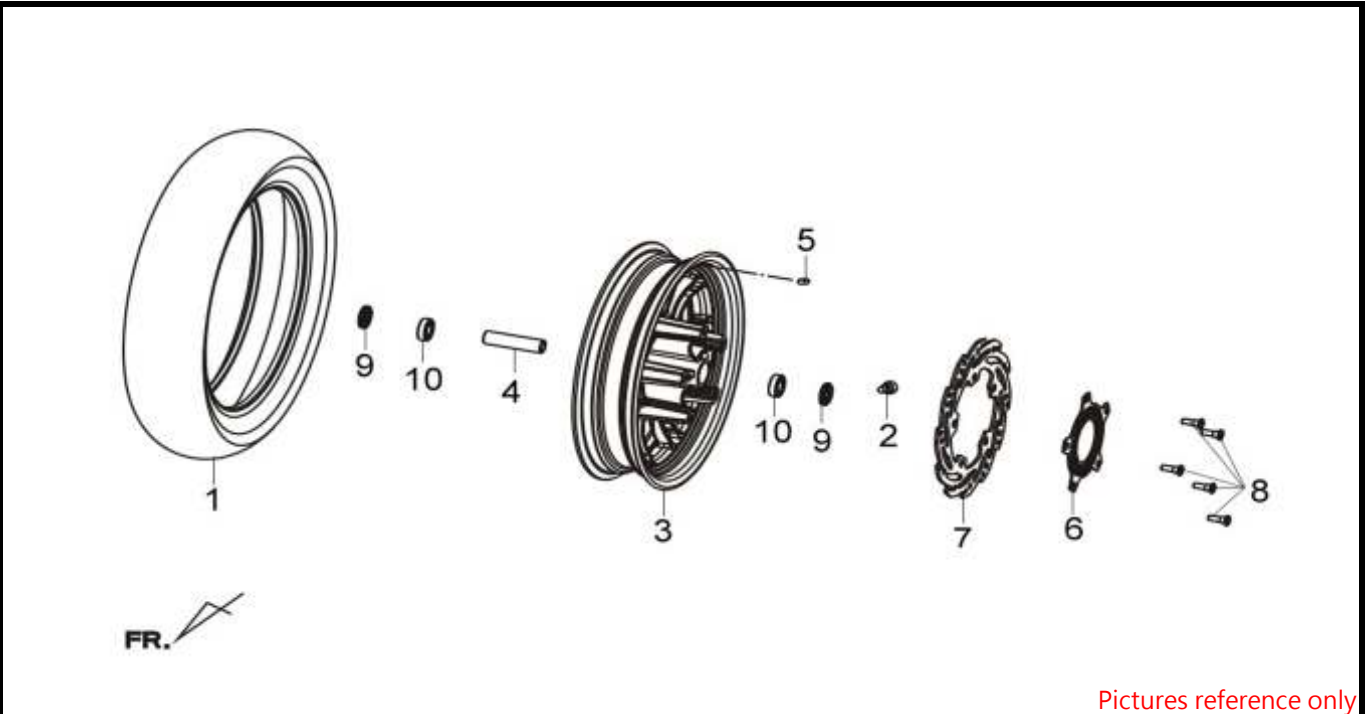


Pictures reference only

NO	PARTS NUMBER	SELLING PRICE (RM / UNIT)	DESCRIPTION	QTY	EFFECTIVE DATE
1	35350-KBN-900	14.80	RR. STOP SWITCH ASSY(L)	1	
2	43100-L3A-000-SH	435.30	RR.CALIPER ASSY.(S-877C)	1	2013/05/14
2	*43100-L3A-010-SH	497.00	RR.CALIPER ASSY.(S-877C)	1	2014/12/01
3	43108-L3A-000-A	82.30	RR. BRAKE PAD SET(2PCS/1SET)	1	
4	43311-L3A-000	92.50	RR BRAKE HOSE A	1	
5	43312-L3A-000	92.50	RR. BRAKE HOSE B	1	
6	43313-L3A-000	161.10	RR. BRAKE HOSE C	1	
7	43500-L3A-000	216.00	RR. M/C ASSY	1	
8	43502-HMA-000	8.90	FF./FR. BRAKE M/C LID	1	
9	45517-TFA-000	17.10	M/C HOLDER	1	
10	46300-HMA-000	198.80	DELAY VALVE ASSY	1	
11	53178-HMA-000	22.30	L.HANDLE LEVER	1	
12	90104-L2A-000	3.30	FLANGE BOLT 8*57	2	
13	90145-M9Q-000	3.30	OIL BOLT 10X22	6	
14	90545-M9Q-000	1.00	OIL BOLT WASHER	12	
15	95801-06022-07	0.80	FLANGE BOLT 6X22	2	
16	95801-06035-07	1.00	FLANGE BOLT	2	

F08
FR. WHEEL

LN25W1-6C (JOYMAX250)
CKD TO 馬來西亞



NO	PARTS NUMBER	SELLING PRICE (RM / UNIT)	DESCRIPTION	QTY	EFFECTIVE DATE
1	1T011207014-MAPRO	440.40	FR. TIRE 120/70-14 55P	1	2013/05/14
2	42753-KJ9-000	9.20	VALVE RIM (PVR-70B)	1	
3	44601-L3A-000	610.10	FR. CAST WHEEL COMP(BK-001C)	1	
4	44620-L3A-000	7.50	FR. AXLE DIST COLLAR	1	
5	44720-H9A-000	10.20	BALANCE WEIGHT	1	
6	45120-L3A-000	23.40	ABS DETECTIVE DISK	1	
7	45121-L3A-900	250.30	FR. BRAKE DISK(S-421S)	1	
8	90105-L3A-000	3.30	FR. DISK BOLT 8*24	5	
9	90754-LEA-000	3.30	DUST SEAL 20X35X5.0	2	
10	90912-LEA-000	16.20	BEARING 6202(LLU)	2	

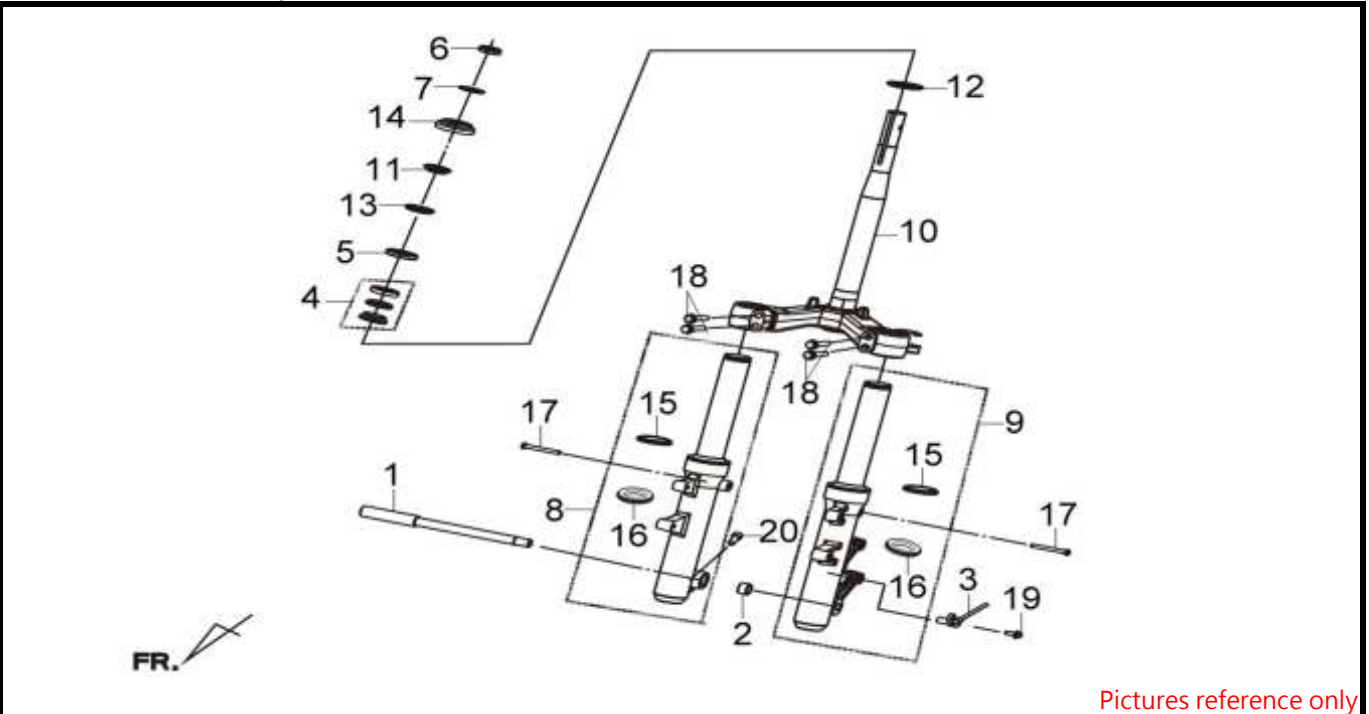
●Please check the color & stripe information according to the color index !

TEAMWORLD IND.
2013/04

PRICE SHOWN IS PER PIECE. PRODUCT IMAGE PRICES ARE APPROXIMATE GUIDE ONLY.
PRICES SHOWN ARE SUBJECT TO CHANDE WITHOUT PRIOR NOTICE.

F09
STRG. STEM & R/L CUSHION

LN25W1-6C (JOYMAX250
CKD TO 馬來西亞)



Pictures reference only

NO	PARTS NUMBER	SELLING PRICE (RM / UNIT)	DESCRIPTION	QTY	EFFECTIVE DATE
1	44301-L3A-000	123.40	FR. WHEEL AXLE	1	
2	44311-L3A-000	6.60	FR. WHEEL SIDE COLLAR	1	
3	44800-L3A-000	132.00	SPEED SENSOR	1	
4	50300-L4A-000	162.10	BALL RACE SET	1	
5	50301-HMA-000	10.90	RACE UP STRG BALL	1	
6	50306-M9Q-000	5.50	STRG. STEM LOCK NUT(MZ→SY)	1	
7	50308-HMA-000	1.70	STRG STEM WASHER	1	
8	51400-L3A-000	514.20	R. CUSHION ASSY	1	
9	51500-L3A-000	514.20	L. CUSHION ASSY	1	
10	53200-L3A-000	250.30	STRG. STEM COMP	1	
11	53211-HMA-000	12.10	STRG. UP CONE RACE	1	
12	53214-L4A-000	12.90	STRG.DUST SEAL	1	
13	53215-HMA-000	25.60	STEEL BALL UP ASSY.	1	
14	53220-HMA-000	10.20	STEERING HEAD TOP THREAD COMP	1	
15	91255-L3A-000	10.90	FR. CUSHION OIL SEAL	2	
16	91256-L3A-000	46.30	DUST SEAL	2	
17	93891-06050-07	1.00	WASHER SCREW 6X45	2	
18	95801-10040-08	2.00	FLANGE BOLT 10X40	4	
19	96001-06012-00	0.80	FLANGE BOLT SH 6X12	1	
20	96700-08020-00	1.70	SOCKET BOLT 8X20	1	

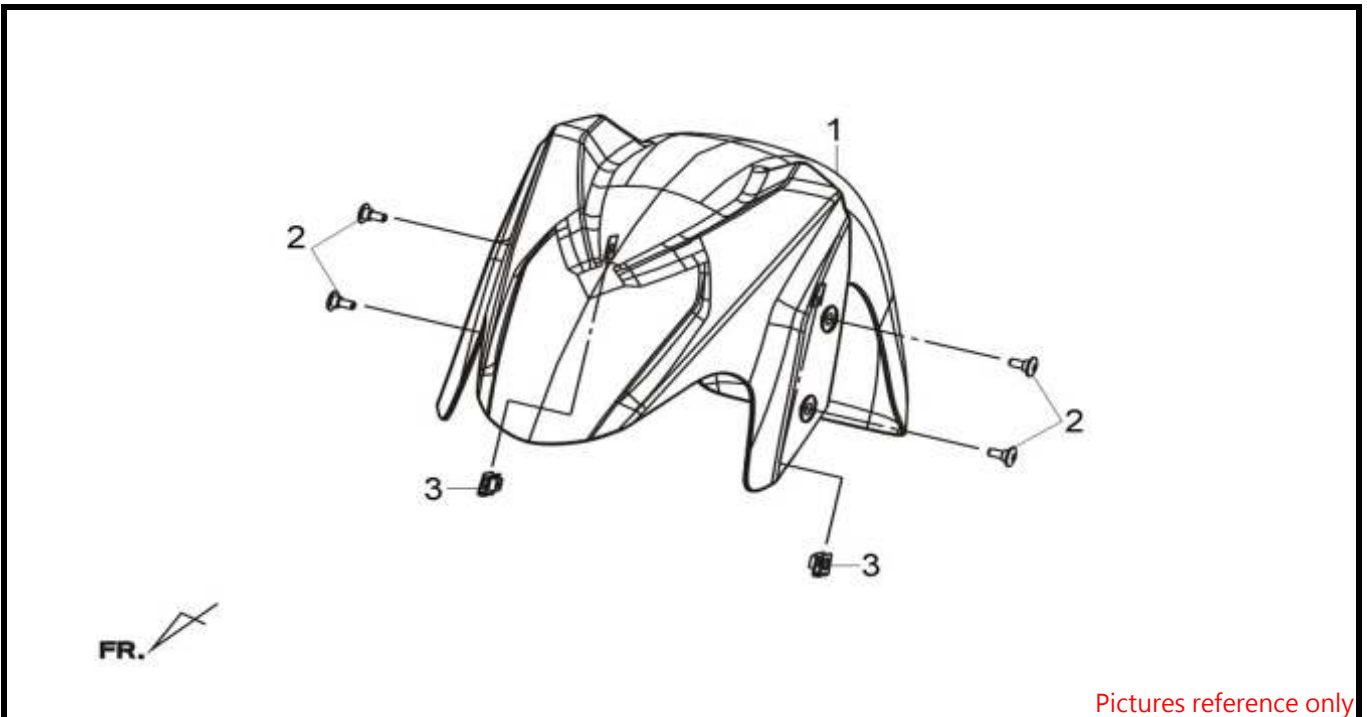
●Please check the color & stripe information according to the color index !

TEAMWORLD IND. 2013/04

PRICE SHOWN IS PER PIECE. PRODUCT IMAGE PRICES ARE APPROXIMATE GUIDE ONLY.
PRICES SHOWN ARE SUBJECT TO CHANDE WITHOUT PRIOR NOTICE.

F10
FR. FENDER

LN25W1-6C (JOYMAX250
CKD TO 馬來西亞)



Pictures reference only

NO	PARTS NUMBER	SELLING PRICE (RM / UNIT)	DESCRIPTION	QTY	EFFECTIVE DATE
1	61100-L3A-000-QU1	135.40	FR. FENDER(WH-300P/GY-7450U)	1	
1	61100-L3A-000-KX2	135.40	FR. FENDER(BK-231S/GY-7450U)	1	2013/05/14
1	61100-L3A-000-IP4	135.40	FR. FENDER(GY-517S/GY-7450U)	1	2013/05/14
1	61100-L3A-000-IL5	135.40	FR. FENDER(GY-7450U)	1	2013/10/07
2	90164-M9Q-000	1.30	SCREW SPECIAL 6mm	4	
3	90305-M9Q-900	10.20	U NUT 16 MM	2	

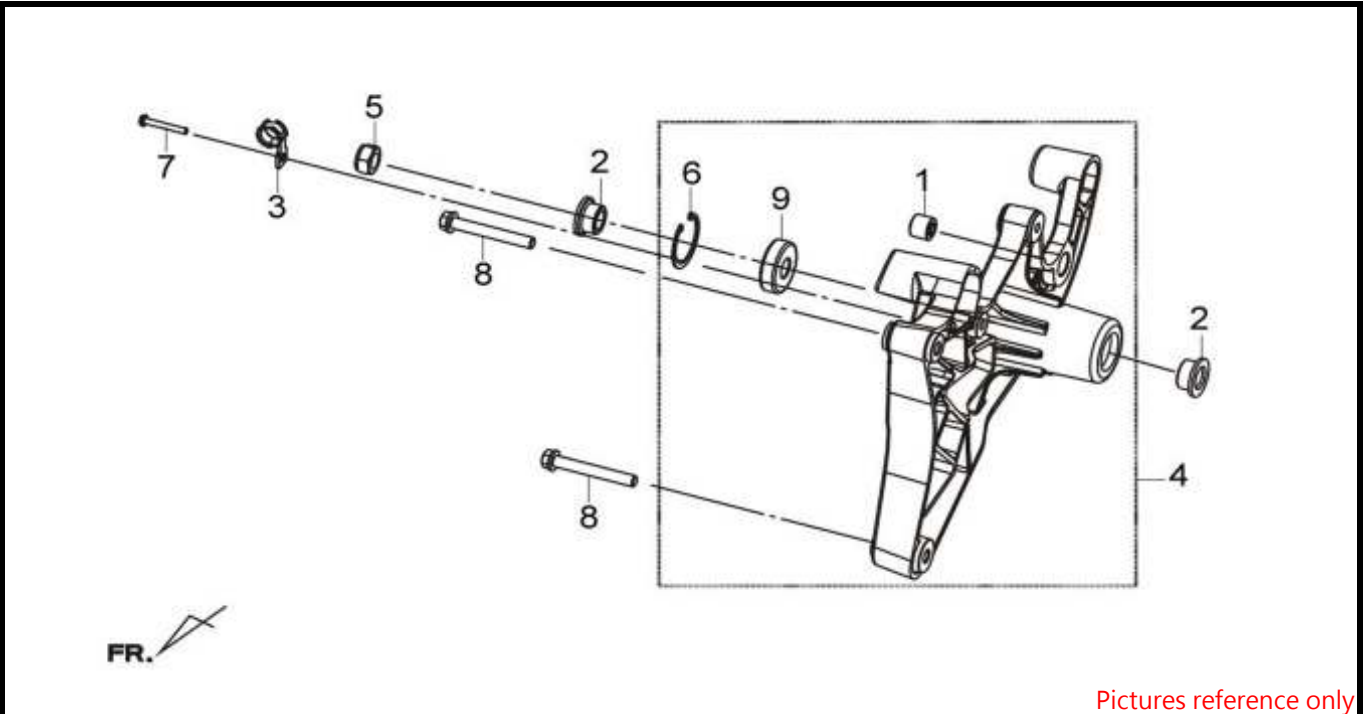
●Please check the color & stripe information according to the color index !

 **TEAMWORLD IND.**
2013/04

PRICE SHOWN IS PER PIECE. PRODUCT IMAGE PRICES ARE APPROXIMATE GUIDE ONLY.
PRICES SHOWN ARE SUBJECT TO CHANDE WITHOUT PRIOR NOTICE.

F11
RR. FORK ASSY

LN25W1-6C (JOYMAX250
CKD TO 馬來西亞)



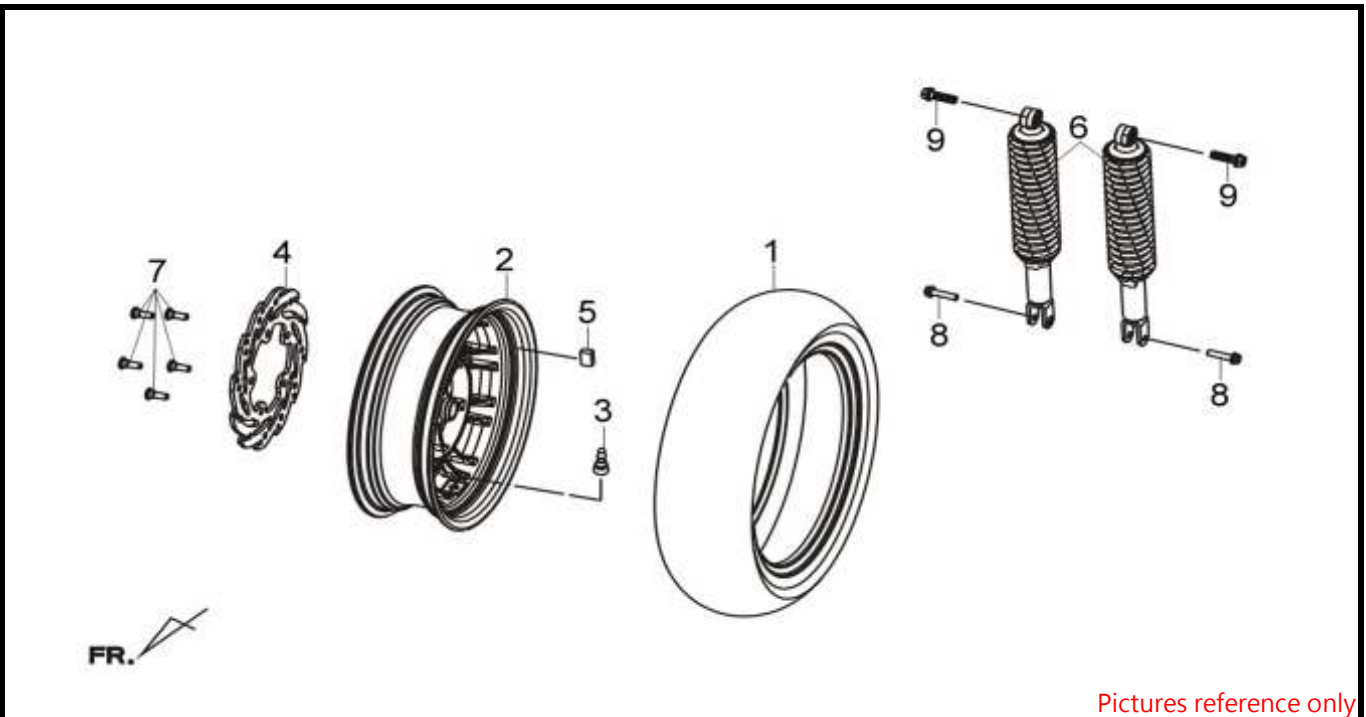
Pictures reference only

NO	PARTS NUMBER	SELLING PRICE (RM / UNIT)	DESCRIPTION	QTY	EFFECTIVE DATE
1	11203-GC7-300	3.80	RR. CUSH UND BUSH RUBBER	1	
2	42311-H9A-000	15.00	RR. AXLE COLLAR	2	
3	45156-HMA-000	3.40	BRAKE HOSE CLAMP	1	
3	45156-L4C-000		FR. BRAKE HOSE CLAMP	1	2013/02/25
4	5210A-L3A-000-IL	377.10	RR. FORK ASSY(GY-7450U)	1	2013/05/14
5	90305-M9Q-900	10.20	U NUT 16 MM	1	
6	94524-47000	3.30	CIR CLIP IN47	1	
7	93891-05045-07		WASHER SCREW 5X45	1	2013/02/25
8	95801-10075-07	2.80	FLANGE BOLT	2	
9	96150-63033-10	25.60	RADIAL BALL BEARING 6303U	1	

●Please check the color & stripe information according to the color index !

 **TEAMWORLD IND.**
2013/04

PRICE SHOWN IS PER PIECE. PRODUCT IMAGE PRICES ARE APPROXIMATE GUIDE ONLY.
PRICES SHOWN ARE SUBJECT TO CHANDE WITHOUT PRIOR NOTICE.



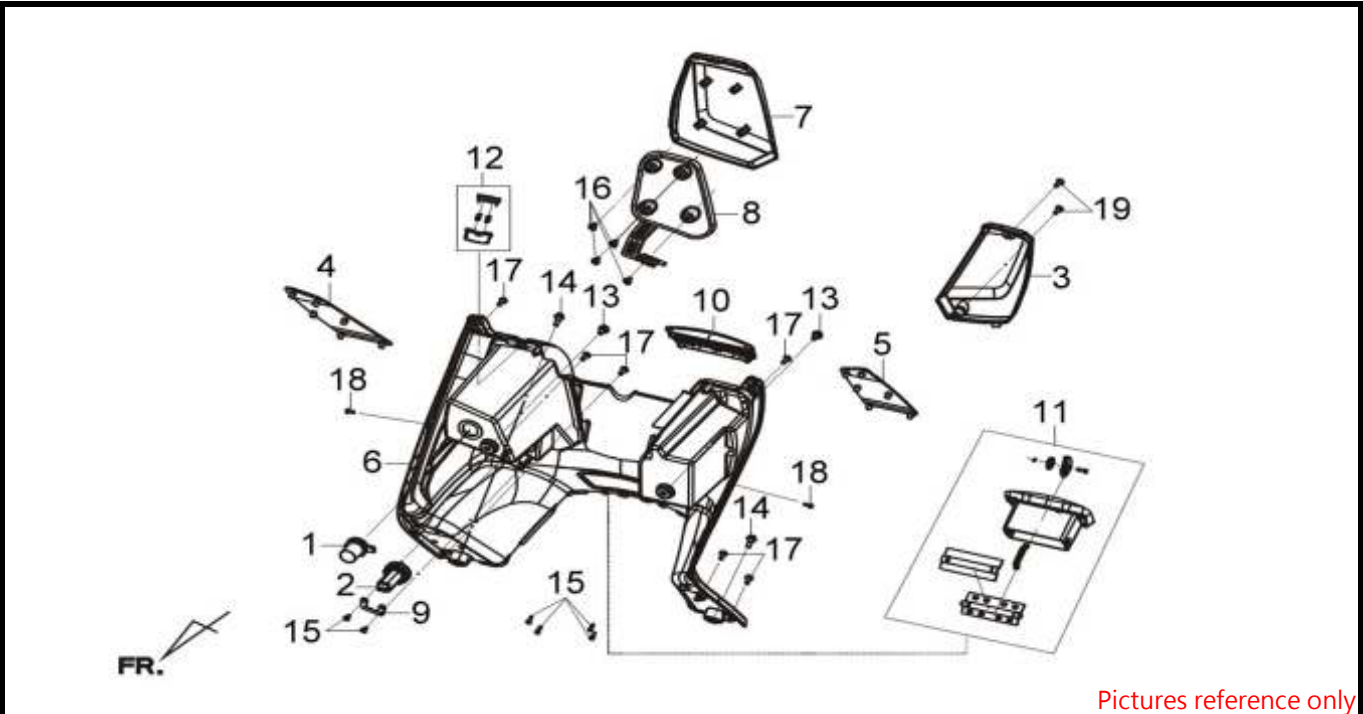
Pictures reference only

NO	PARTS NUMBER	SELLING PRICE (RM / UNIT)	DESCRIPTION	QTY	EFFECTIVE DATE
1	1T011406013-MAPRO	455.80	RR. TIRE 140/60-13 63P	1	
2	42601-L3A-000-KB	603.30	RR. CAST WHEEL COMP(BK-001C)	1	2013/05/14
3	42753-M92-300	8.60	VALVE RIM	1	
4	43121-L3A-900	243.30	RR. BRAKE DISK(S-421S)	1	
5	44720-H9A-000	10.20	BALANCE WEIGHT	1	
6	52400-L3A-000-KB	205.60	RR. CUSHION ASSY(BK-001C)	2	2013/05/14
7	90105-KR3-000	4.10	FR. DISK BOLT 8X24	5	
8	95801-08035-07	1.70	FLANGE BOLT M8X35	2	
9	95801-10040-08	2.00	FLANGE BOLT 10X40	2	

●Please check the color & stripe information according to the color index !

F13
INNER BOX

LN25W1-6C (JOYMAX250)
CKD TO 馬來西亞



Pictures reference only

NO	PARTS NUMBER	SELLING PRICE (RM / UNIT)	DESCRIPTION	QTY	EFFECTIVE DATE
1	38600-L4A-000	34.60	DC. POWER OUTLET ASSY	1	
2	38650-L4A-000	120.00	USB CHARGE UNIT	1	
3	50326-L3A-000-IL	25.60	BATTERY COVER(GY-7450U)	1	2013/05/14
4	64323-L3A-000-KA	15.40	R. FLOOR MAT B(BK-001U)	1	2013/05/14
5	64324-L3A-000-KA	15.40	L. FLOOR MAT B(BK-001U)	1	2013/05/14
6	81131-L3A-000-KA	102.90	INNER BOX(BK-001U)	1	2013/05/14
7	81141-L3A-000-IL	25.60	INNER BOX LID(GY-7450U)	1	2013/05/14
8	81142-L3A-000	8.60	INNER BOX LID STIFFENER	1	
9	81143-L3A-000	1.70	INNER BOX LID HINGE STAY	1	
10	81152-L3A-000-KA	6.60	AIR DUCT COVER(BK-001U)	1	2013/05/14
11	8115A-L3A-000	41.10	AIR DUCT ASSY	1	
12	8116A-L3A-000	20.60	COIN BOX LOCK ASSY	1	
13	90111-HKD-000	3.30	BOLT FLANGE 6MM	2	
14	90111-M9Q-900	2.00	FLANGE BOLT(MFZn2-C)6MM	2	
15	93903-34380	0.60	TAPPING SCREW 4X12	6	
16	93903-35280	0.50	TAPPING SCREW 5X12	4	
17	93903-35380	0.40	TAPPING SCREW 5X16	6	
18	93903-44380	1.00	TAPPING SCREW 4X12	2	
19	93903-45280	0.80	TAPPING SCREW 5X12	2	

TEAMWORLD IND.

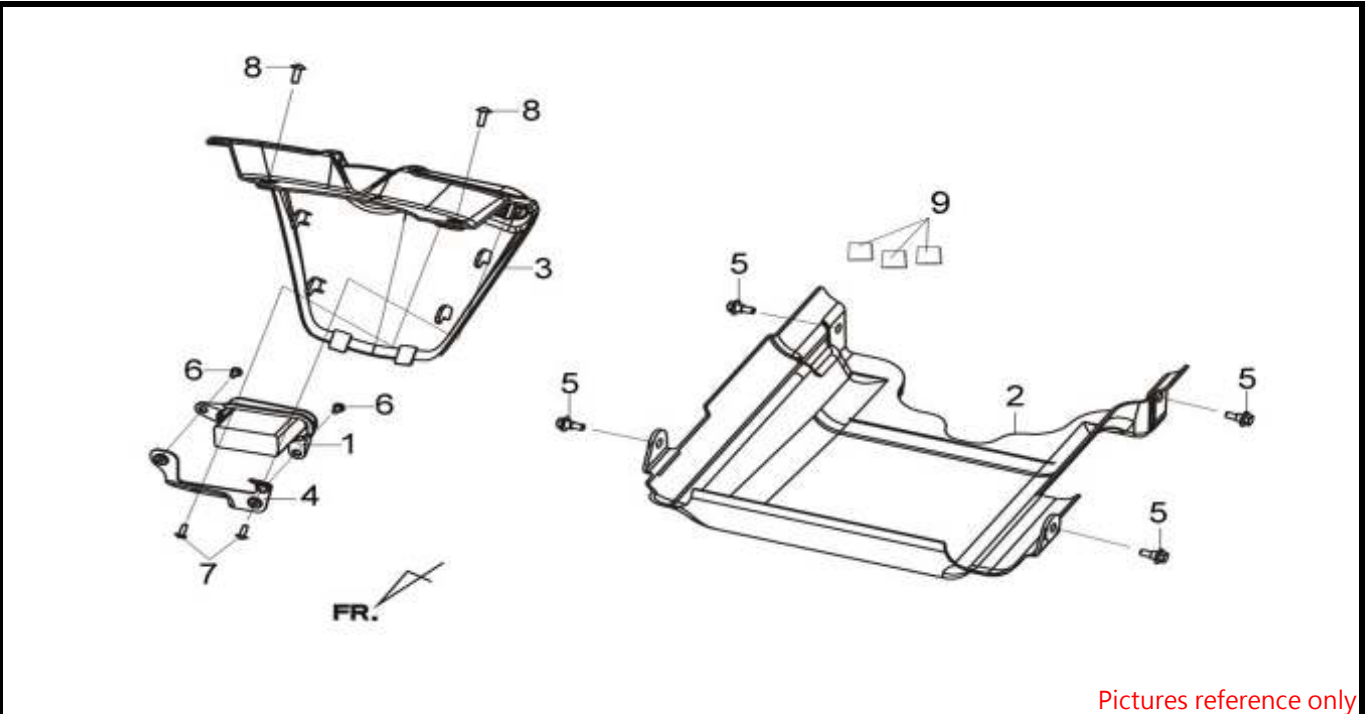
●Please check the color & stripe information according to the color index !

2013/04

PRICE SHOWN IS PER PIECE. PRODUCT IMAGE PRICES ARE APPROXIMATE GUIDE ONLY.
PRICES SHOWN ARE SUBJECT TO CHANDE WITHOUT PRIOR NOTICE.

F14
UNDER COVER

LN25W1-6C (JOYMAX250
CKD TO 馬來西亞)



Pictures reference only

NO	PARTS NUMBER	SELLING PRICE (RM / UNIT)	DESCRIPTION	QTY	EFFECTIVE DATE
1	35360-L3A-000	85.70	HAZARD & FOGGY SW COMP	1	
2	50611-HMA-000	25.60	UNDER COVER(BK-001U)	1	
3	81132-L3A-000-KA	15.40	MAIN SW. COVER(BK-001U)	1	2013/05/14
4	81134-L3A-000	20.60	HAZARD SW. STAY	1	
5	90111-M9Q-800	2.00	FLANGE BOLT 6MM	4	
6	93891-04008-08	0.80	SCREW WASHER 4X8	2	
7	93903-34320	0.60	TAPPING SCREW 4X12	2	
8	93903-45280	0.80	TAPPING SCREW 5X12	2	
9	*83619-L3F-000	1.70	CUSHION RUBBER	3	2013/09/02

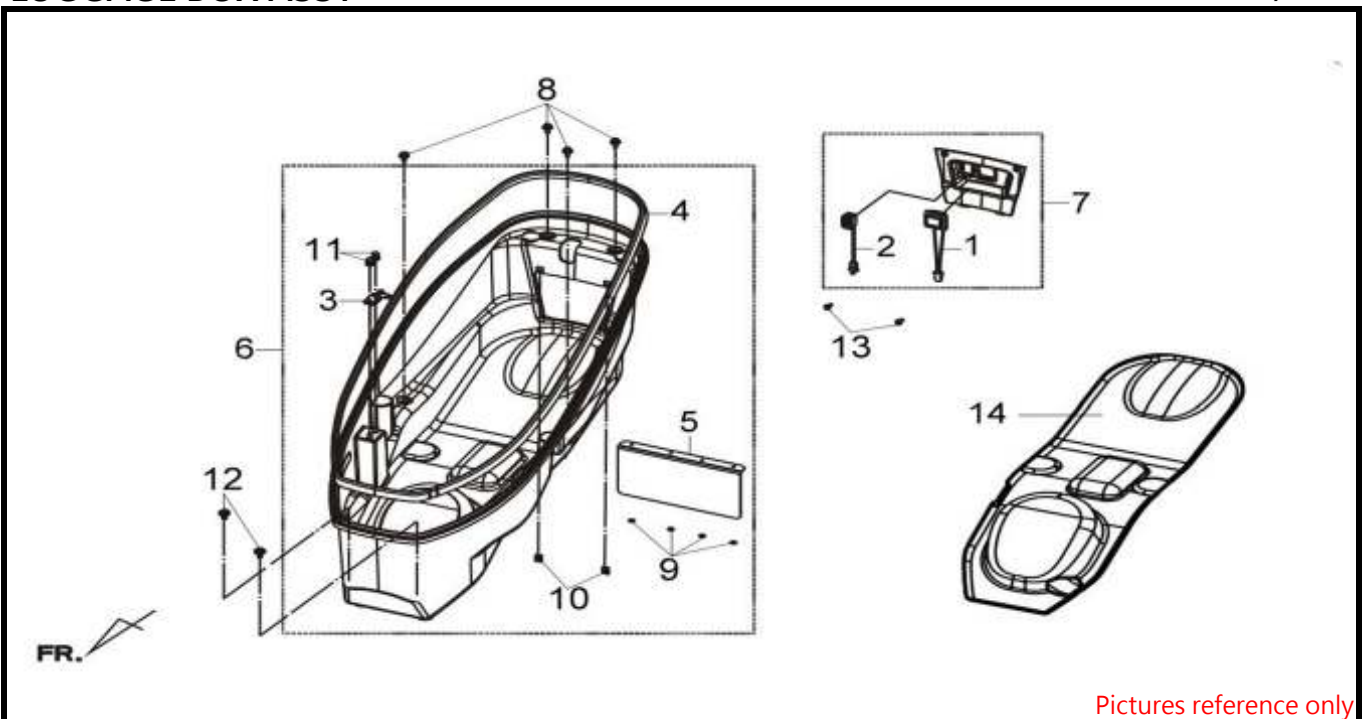
●Please check the color & stripe information according to the color index !

TEAMWORLD IND.
2013/04

PRICE SHOWN IS PER PIECE. PRODUCT IMAGE PRICES ARE APPROXIMATE GUIDE ONLY.
PRICES SHOWN ARE SUBJECT TO CHANDE WITHOUT PRIOR NOTICE.

F15
LUGGAGE BOX ASSY

LN25W1-6C (JOYMAX250
CKD TO 馬來西亞)



Pictures reference only

NO	PARTS NUMBER	SELLING PRICE (RM / UNIT)	DESCRIPTION	QTY	EFFECTIVE DATE
1	35370-M9P-000	36.00	LUGGAGE BOX LIGHT ASSY	1	
2	36600-A1A-010	17.10	ENG.START CONTROL SW	1	
2	*36600-A1A-200	18.90	ENG.START CONTROL SW	1	2013/08/01
3	74481-HMA-100	20.60	SEAT OPEN STAY BRKT.	1	
4	77115-L3A-000	73.70	LUGGAGE BOX RRUBBER	1	
5	80104-HMA-000	4.10	SPLASH GUARD PLATE	1	
6	8125A-L3A-010-KA	246.80	LUGGAGE BOX ASSY(BK-001U)	1	2013/05/14
7	8125B-L3A-000	33.60	LUG BOX RR COVER ASSY.	1	
8	90111-M9Q-800	2.00	FLANGE BOLT 6MM	4	
9	90301-GE0-000	1.00	CLIP NUT	4	
10	90302-M92-000	0.80	SPRING NUT 4MM	2	
11	90304-M9Q-900	4.80	HEX CAP NUT 6MM	2	
12	93404-06012-07	0.80	WASHER BOLT 6X12	2	
13	93894-05016-07	1.00	WASHER SCREW	2	
14.0	*83630-L3A-100		LUGGAGE BOX MAT	1	2014/12/08

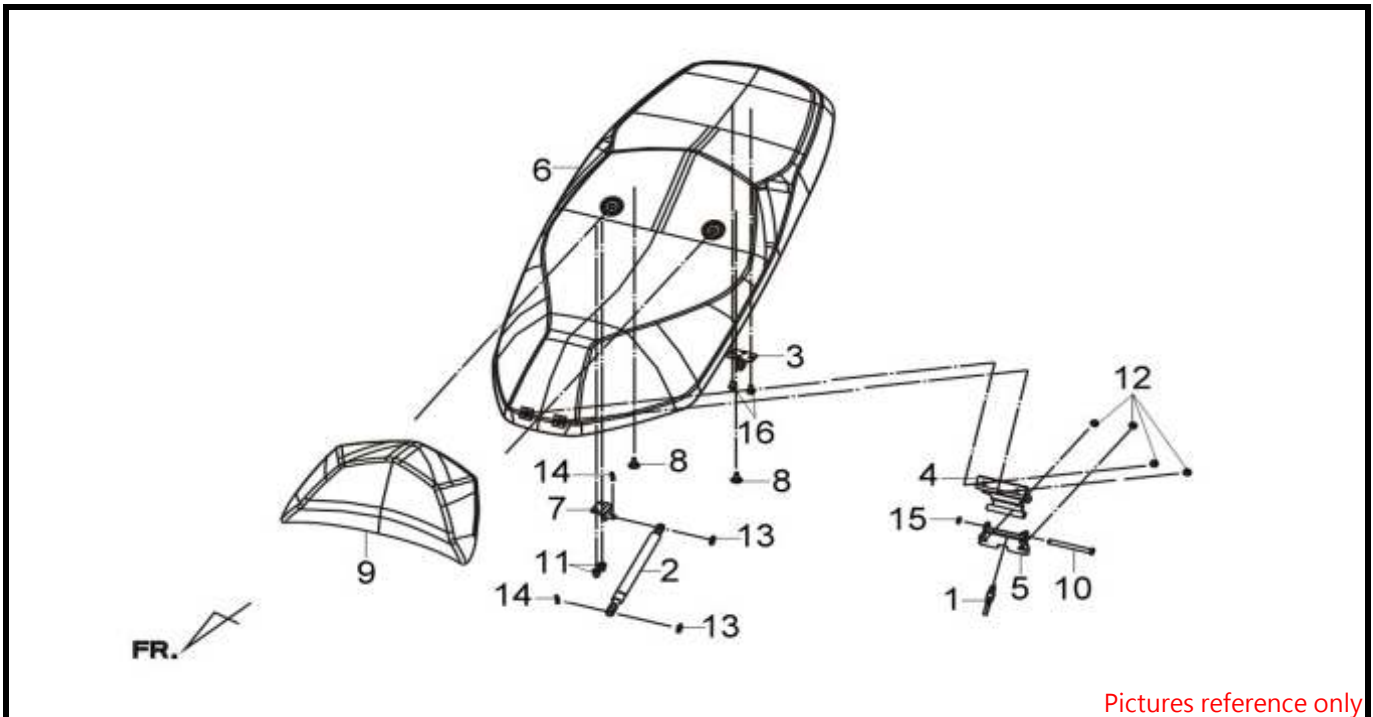
●Please check the color & stripe information according to the color index !

TEAMWORLD IND.
2013/04

PRICE SHOWN IS PER PIECE. PRODUCT IMAGE PRICES ARE APPROXIMATE GUIDE ONLY.
PRICES SHOWN ARE SUBJECT TO CHANDE WITHOUT PRIOR NOTICE.

F16
DOUBLE SEAT

LN25W1-6C (JOYMAX250
CKD TO 馬來西亞)



Pictures reference only

NO	PARTS NUMBER	SELLING PRICE (RM / UNIT)	DESCRIPTION	QTY	EFFECTIVE DATE
1	35345-L3A-000	20.60	SEAT OPEN LAMP SW	1	
2	74480-L3A-000	96.00	OPEN STAY	1	
3	77101-L3A-000	6.90	SEAT LOCK BAR	1	
4	77111-L3A-000	20.60	SEAT HINGE STAY A	1	
5	77112-L3A-000	27.50	SEAT HINGE STAY B	1	
6	77200-L3A-000	548.40	DOUBLE SEAT ASSY	1	
7	77202-HMA-100	5.80	OPEN STAY BRKT A	1	
8	77203-HMA-900	8.60	BACK SEAT SET BOLT 5mm	2	
9	77300-L3A-000	143.90	BACK SEAT ASSY	1	
10	90106-H9A-000	3.30	SEAT HINGE PIN	1	
11	90304-M9Q-900	4.80	HEX CAP NUT 6MM	2	
12	94050-06080	1.00	FLANGE NUT 6MM	4	
13	94101-08800	0.80	PLAIN WASHER 8MM	2	
14	94251-08400	0.80	LOCK PIN 8MM (LATCH PIN)	2	
15	94540-07018	0.80	E RING 7	1	
16	95801-06012-07	0.80	FLANGE BOLT 6X12	2	

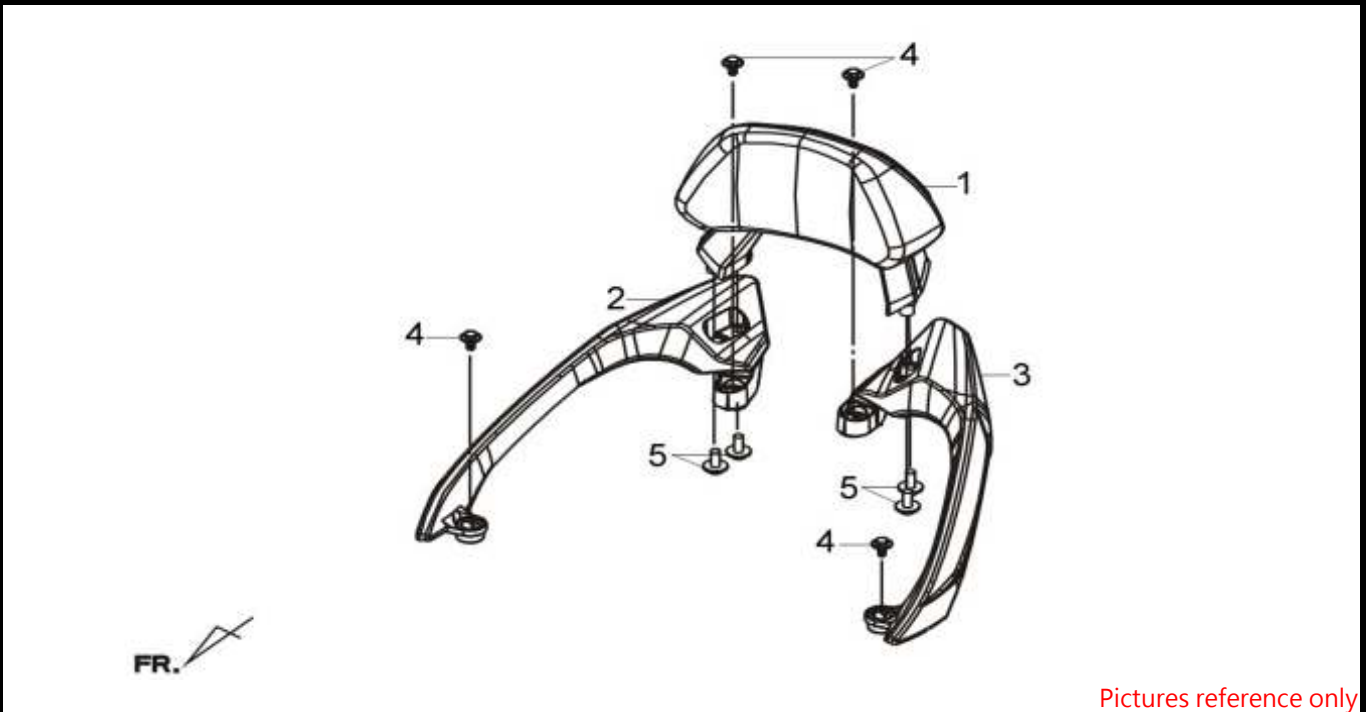
●Please check the color & stripe information according to the color index !

TEAMWORLD IND.
2013/04

PRICE SHOWN IS PER PIECE. PRODUCT IMAGE PRICES ARE APPROXIMATE GUIDE ONLY.
PRICES SHOWN ARE SUBJECT TO CHANDE WITHOUT PRIOR NOTICE.

F17
R/L RR. CARRIER

LN25W1-6C (JOYMAX250)
CKD TO 馬來西亞



Pictures reference only

NO	PARTS NUMBER	SELLING PRICE (RM / UNIT)	DESCRIPTION	QTY	EFFECTIVE DATE
1	77400-L3A-000-KA	253.70	RR. BACK SEAT ASSY(BK-001U)	1	2013/05/14
2	81200-L3A-000-IL	216.00	R. RR. CARRIER(GY-7450U)	1	2013/05/14
3	81210-L3A-000-IL	216.00	L. RR. CARRIER(GY-7450U)	1	2013/05/14
4	90105-H7A-010	3.30	SPECIAL BOLT 8MM	4	
5	93406-08020-07	1.30	WASHER BOLT 8*20	4	

TEAMWORLD IND.

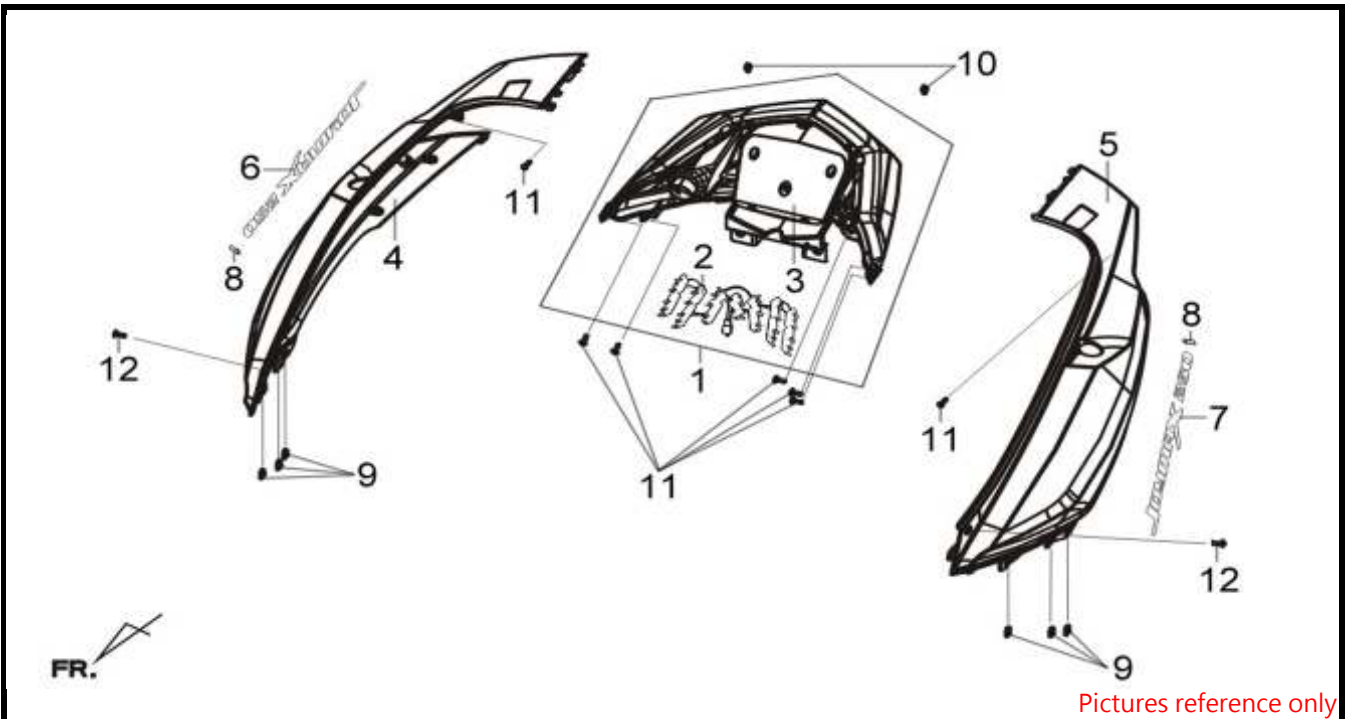
●Please check the color & stripe information according to the color index !

2013/04

PRICE SHOWN IS PER PIECE. PRODUCT IMAGE PRICES ARE APPROXIMATE GUIDE ONLY.
PRICES SHOWN ARE SUBJECT TO CHANDE WITHOUT PRIOR NOTICE.

F18
BODY COVER

LN25W1-6C (JOYMAX250
CKD TO 馬來西亞)



Pictures reference only

NO	PARTS NUMBER	SELLING PRICE (RM / UNIT)	DESCRIPTION	QTY	EFFECTIVE DATE
1	33700-L3A-000	514.20	RR. COMB LIGHT ASSY	1	
2	33703-L3A-000	291.40	TAIL LIGHT UNIT	1	
3	33704-L3A-000	85.70	TAIL LIGHT COVER	1	
4	83500-L3A-000-QU	157.70	R. BODY COVER(WH-300P)	1	
4	83500-L3A-000-KX	157.70	R. BODY COVER(BK-231S)	1	2013/05/14
4	83500-L3A-000-IP	157.70	R. BODY COVER(GY-517S)	1	2013/05/14
4	83500-L3A-000-IL	157.70	R. BODY COVER(GY-7450U)	1	2013/10/07
5	83600-L3A-000-QU	157.70	L. BODY COVER(WH-300P)	1	
5	83600-L3A-000-KX	157.70	L. BODY COVER(BK-231S)	1	2013/05/14
5	83600-L3A-000-IP	157.70	L. BODY COVER(GY-517S)	1	2013/05/14
5	83600-L3A-000-IL	157.70	L. BODY COVER(GY-7450U)	1	2013/10/07
6	87126-L2A-000	68.50	R. BODY COVER EMBLEM	1	2013/10/07
7	87127-L2A-000	68.50	L. BODY COVER EMBLEM	1	2013/10/07
8	87129-HML-000	20.60	i MARK	2	2013/10/07
9	90308-X04-000	1.30	SPECIAL NUT 5MM	6	
10	90677-GR1-003	2.00	CLIP NUT 5X0.8	2	
11	93903-35320	0.80	TAPPING SCREW 5X16	7	
12	93903-45380	0.40	TAPPING SCREW 5X16	2	
13	34905-RCA-000	17.10	WINKER BULB	2	
14	34906-RA1-000	18.90	TAIL LIGHT BULB(12V,21W/5W)	1	

TEAMWORLD IND.

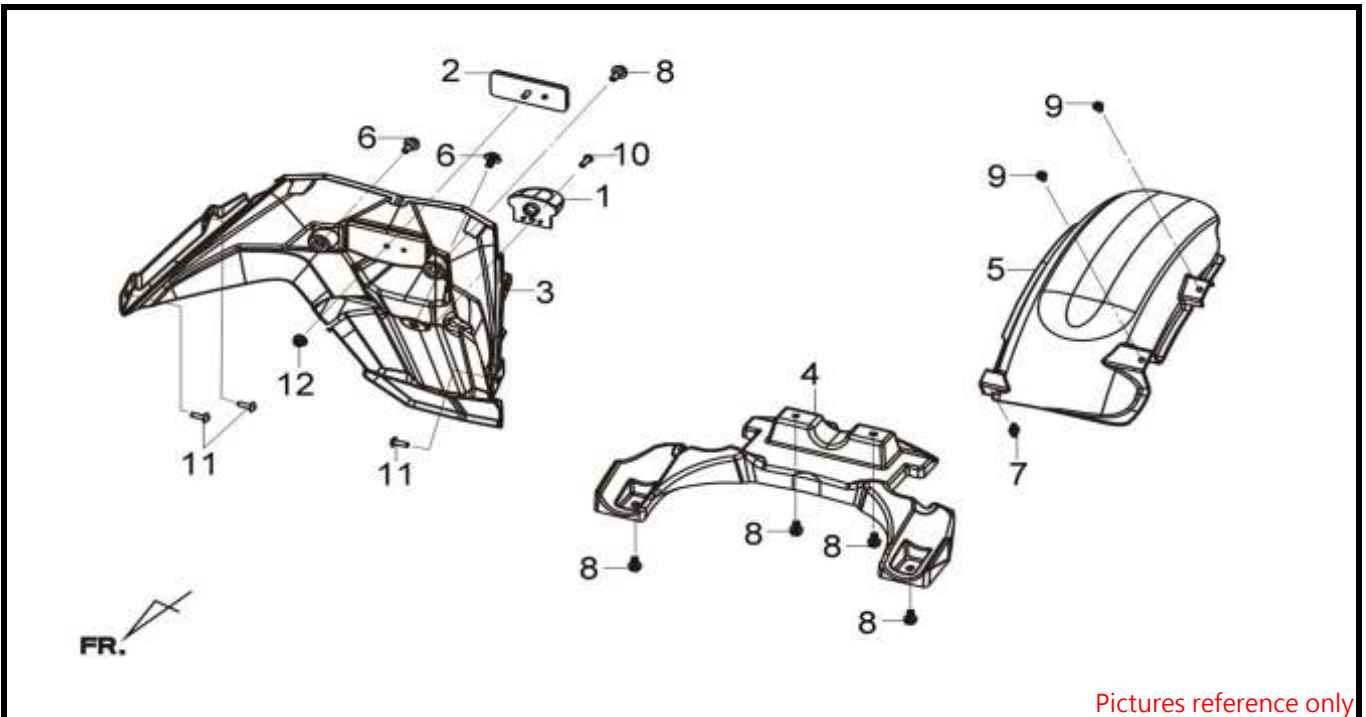
● Please check the color & stripe information according to the color index !

2013/04

PRICE SHOWN IS PER PIECE. PRODUCT IMAGE PRICES ARE APPROXIMATE GUIDE ONLY.
PRICES SHOWN ARE SUBJECT TO CHANDE WITHOUT PRIOR NOTICE.

F19
TAIL LIGHT

LN25W1-6C (JOYMAX250
CKD TO 馬來西亞)



Pictures reference only

NO	PARTS NUMBER	SELLING PRICE (RM / UNIT)	DESCRIPTION	QTY	EFFECTIVE DATE
1	33740-LEA-010	34.40	LICENSE LIGHT ASSY	1	
2	33741-M9A-100	12.30	RR. REFLEX REFLECTOR	1	
3	80100-L3A-000-KA	44.60	RR. FENDER(BK-001U)	1	2013/05/14
4	80105-L3A-000	16.20	RR. INNER FENDER	1	
5	80106-L3A-000-KA	30.80	RR. MUDGUARD(BK-001U)	1	2013/05/14
6	90111-ADB-000	1.30	FLANGE BOLT 6MM	2	
7	90677-GR1-003	2.00	CLIP NUT 5X0.8	1	
8	93404-06012-07	0.80	WASHER BOLT 6X12	5	
9	93894-05016-07	1.00	WASHER SCREW	2	
10	93901-35380	0.80	SCREW TAPPING 5*16	1	
11	93903-35320	0.80	TAPPING SCREW 5X16	3	
12	94050-05080	0.80	FLANGE NUT 5MM	1	

●Please check the color & stripe information according to the color index !

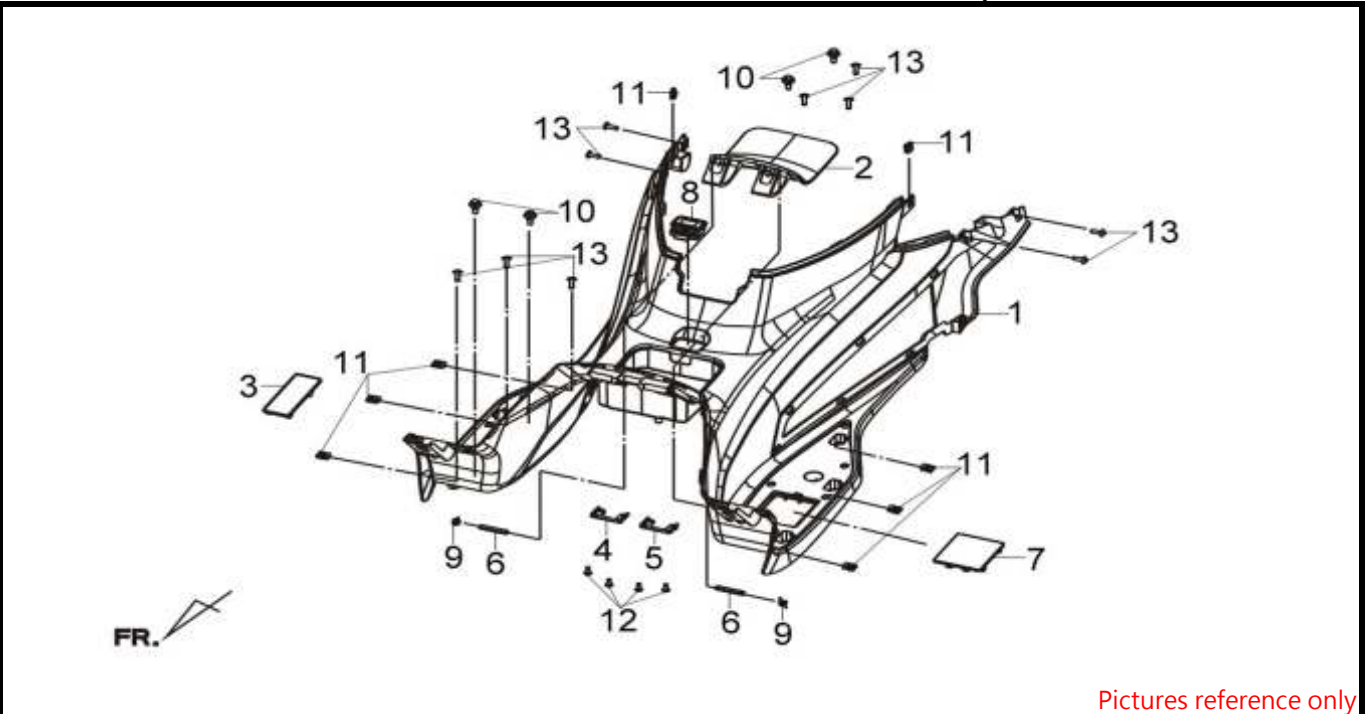
TEAMWORLD IND.

2013/04

PRICE SHOWN IS PER PIECE. PRODUCT IMAGE PRICES ARE APPROXIMATE GUIDE ONLY.
PRICES SHOWN ARE SUBJECT TO CHANDE WITHOUT PRIOR NOTICE.

F20
FLOOR PANEL

LN25W1-6C
(JOYMAX250 CKD TO



Pictures reference only

NO	PARTS NUMBER	SELLING PRICE (RM / UNIT)	DESCRIPTION	QTY	EFFECTIVE DATE
1	64310-L3A-000-KA	96.00	FLOOR PANEL(BK-001U)	1	2013/05/14
1	64310-L3A-010-KA	96.00	FLOOR PANEL(BK-001U)	1	2013/11/05
2	64311-L3A-000-KA	12.10	FUEL CAP LID(BK-001U)	1	2013/05/14
2	64311-L3A-010-KA	12.10	FUEL CAP LID(BK-001U)	1	2013/11/05
3	64313-F3C-000-KA	3.30	FRAME NUMBER LID(BK-001U)	1	2013/05/14
4	64315-L3A-000	4.10	R. LID HINGE STAY	1	
5	64316-L3A-000	4.10	L. LID HINGE STAY	1	
6	64317-L3A-000	1.70	LID HINGE PIN	2	
7	64318-L3A-000	5.80	RES. TANK LID	1	
8	64320-L4A-000	34.90	FUEL TANK COVER LOCK	1	
9	81153-HMA-100	0.80	COIN BOX LID SPRING	2	
10	90111-HKD-000	3.30	BOLT FLANGE 6MM	4	
11	90308-X04-000	1.30	SPECIAL NUT 5MM	8	
12	93903-34320	0.60	TAPPING SCREW 4X12	4	
13	93903-45380	0.40	TAPPING SCREW 5X16	10	

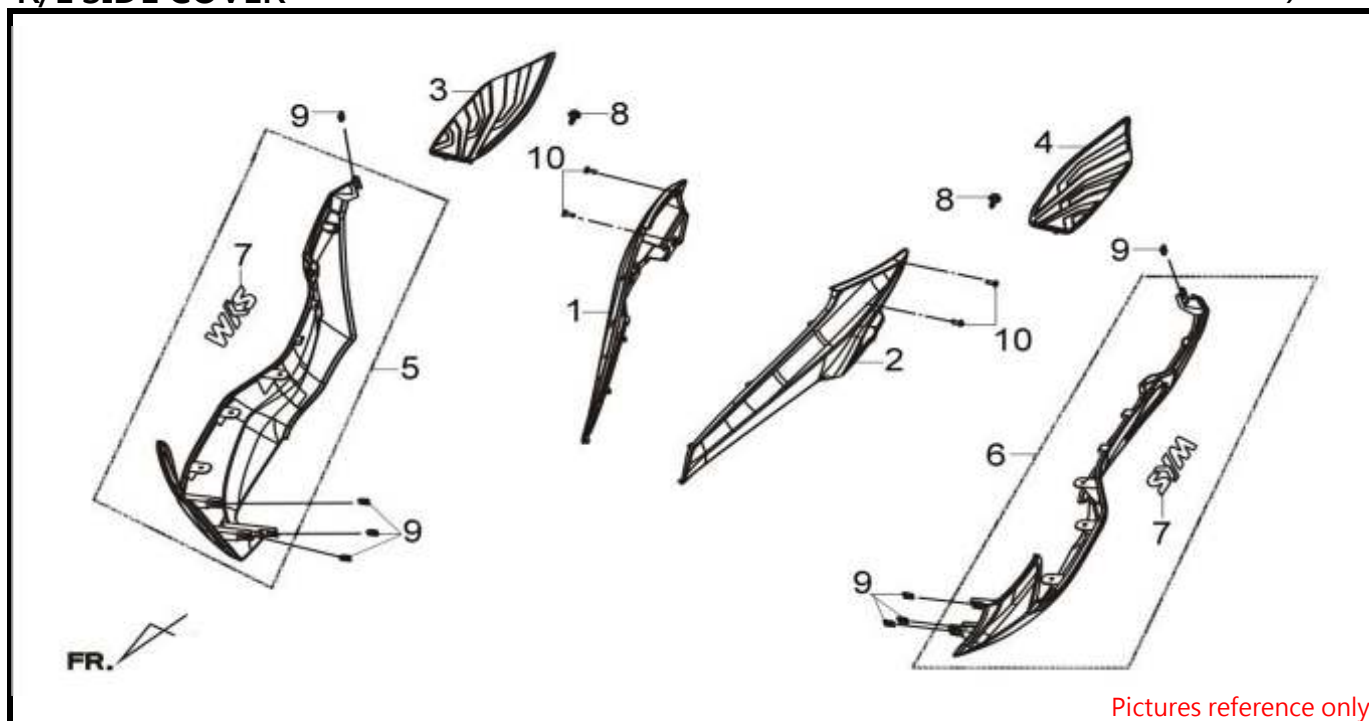
●Please check the color & stripe information according to the color index !

TEAMWORLD IND.
2013/04

PRICE SHOWN IS PER PIECE. PRODUCT IMAGE PRICES ARE APPROXIMATE GUIDE ONLY.
PRICES SHOWN ARE SUBJECT TO CHANDE WITHOUT PRIOR NOTICE.

F21
R/L SIDE COVER

LN25W1-6C (JOYMAX250
CKD TO 馬來西亞)



NO	PARTS NUMBER	SELLING PRICE (RM / UNIT)	DESCRIPTION	QTY	EFFECTIVE DATE
1	64313-L3A-000-IL	68.50	R. FLOOR GARNISH(GY-7450U)	1	2013/10/07
2	64314-L3A-000-IL	68.50	L. FLOOR GARNISH(GY-7450U)	1	2013/10/07
3	64321-L3A-000-KA	13.70	R. FLOOR MAT A(BK-001U)	1	2013/10/07
4	64322-L3A-000-KA	13.70	L. FLOOR MAT A(BK-001U)	1	2013/10/07
5	8352G-L3A-000-QU	121.70	R. SIDE COVER SET(WH-300P)	1	
5	8352G-L3A-000-KX	121.70	R. SIDE COVER SET(BK-231S)	1	2013/05/14
5	8352G-L3A-000-IP	114.80	R. SIDE COVER SET(GY-517S)	1	2013/05/14
5	8352G-L3A-000-IL	121.70	R. SIDE COVER SET(GY-7450U)	1	2013/10/07
6	8362G-L3A-000-QU	121.70	L. SIDE COVER SET(WH-300P)	1	
6	8362G-L3A-000-KX	121.70	L. SIDE COVER SET(BK-231S)	1	2013/05/14
6	8362G-L3A-000-IP	114.80	L. SIDE COVER SET(GY-517S)	1	2013/05/14
6	8362G-L3A-000-IL	121.70	L. SIDE COVER SET(GY-7450U)	1	2013/10/07
7	87121-A5W-000-T2	5.20	SYM MARK (90 STRIPE) TYPE2	2	
7	87121-A5W-000-T3	5.20	SYM MARK (90 STRIPE) TYPE3	2	2013/10/07
8	90118-HAA-000	1.00	WASHER BOLT 5X14	2	
9	90308-X04-000	1.30	SPECIAL NUT 5MM	8	
10	93903-45380	0.40	TAPPING SCREW 5X16	4	

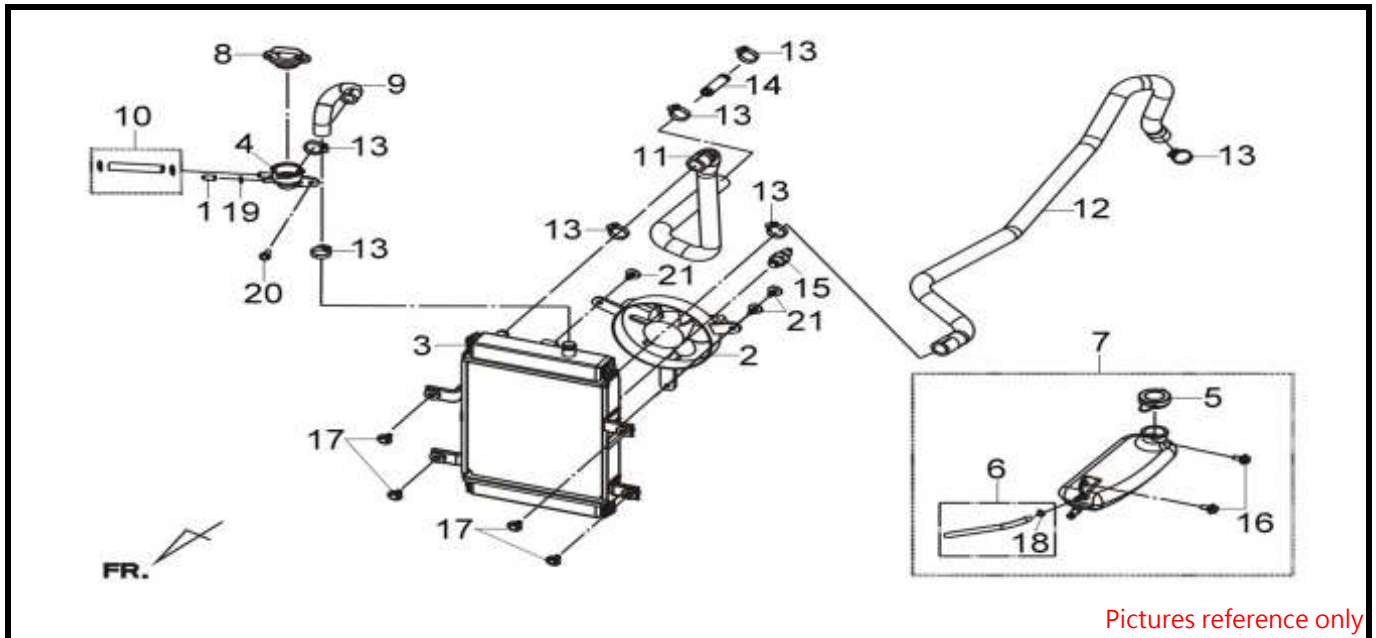
● Please check the color & stripe information according to the color index !

TEAMWORLD IND.
2013/04

PRICE SHOWN IS PER PIECE. PRODUCT IMAGE PRICES ARE APPROXIMATE GUIDE ONLY.
PRICES SHOWN ARE SUBJECT TO CHANDE WITHOUT PRIOR NOTICE.

F22
RADIATOR ASSY

LN25W1-6C (JOYMAX250)
CKD TO 馬來西亞



NO	PARTS NUMBER	SELLING PRICE (RM / UNIT)	DESCRIPTION	QTY	EFFECTIVE DATE
1	17236-FWA-000	3.30	TUBE PLUG	1	
2	19005-HMA-000	284.50	SHROUD ASSY	1	
3	19010-L3A-000	438.80	RADIATOR COMP	1	
4	19039-LVA-000	8.90	FILLER NECK	1	
5	19104-M9Q-000	5.90	RESERVE TANK CAP.	1	
6	19109-L3A-000	5.80	RESERVE TANK TUBE	1	
7	1910A-L3A-000	58.30	RESERVE TANK ASSY	1	
8	19111-H9A-000	36.90	RADIATOR FILLER CAP	1	
9	19125-L3A-000	17.80	RADIATOR HOSE A	1	
10	19126-L3A-000	16.50	RADIATOR HOSE B	1	
11	19501-L3A-000	48.60	RADIATOR INLET WATER HOSE	1	
12	19505-L3A-000	78.80	ENG. INLET WATER HOSE	1	
13	19505-REA-000	8.60	HOSE CLAMP	7	
14	19509-HWA-000	6.90	WATER HOSE 2 WAY JOINT	1	
15	37760-HMA-000	85.70	THERMO. SW	1	
16	90111-M9Q-800	2.00	FLANGE BOLT 6MM	2	
17	93404-06020-08	0.80	WASHER BOLT	4	
18	95002-02080	0.80	BREATHER TUBE CLIP B8	1	
19	95002-40800-08	2.00	TUBE CLAMPER D8.0	1	
20	95801-06012-08	0.80	FLANGE BOLT 6X12	1	
21	95801-06016-08	1.00	FLANGE BOLT 6X16	3	

TEAMWORLD IND.

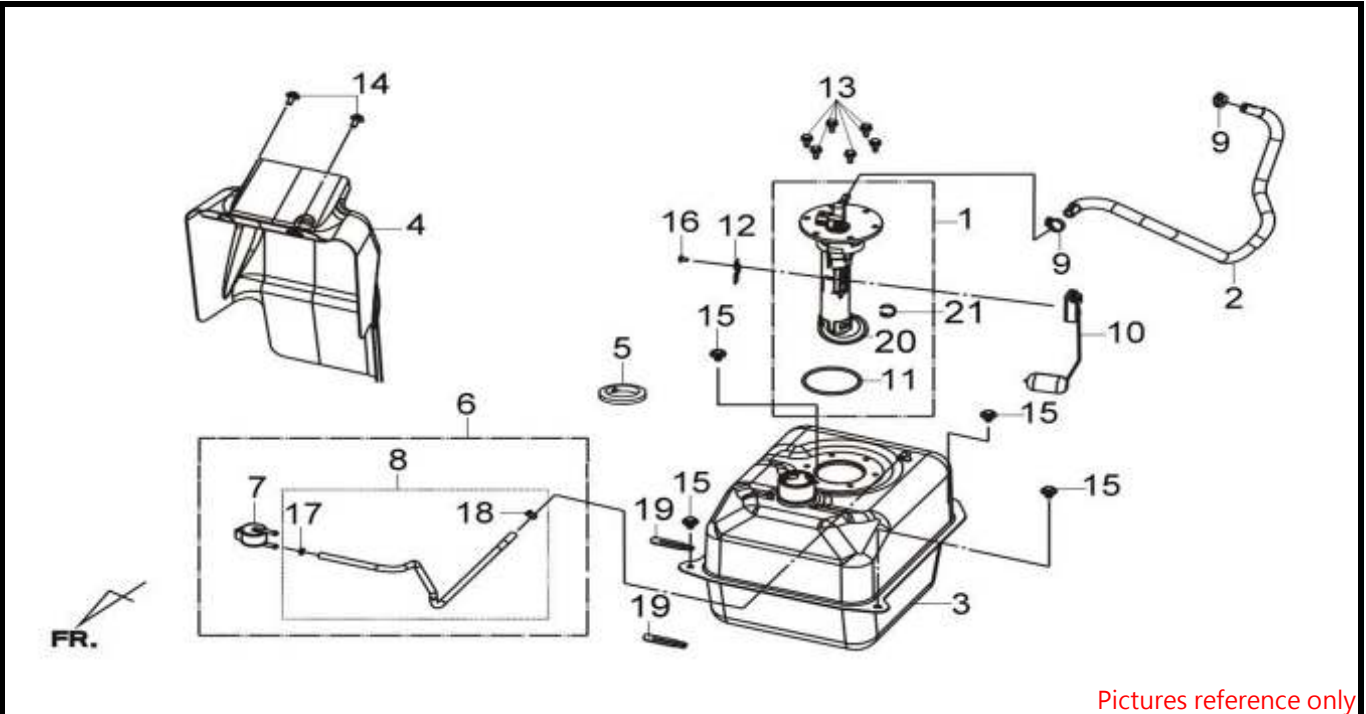
●Please check the color & stripe information according to the color index !

2013/04

PRICE SHOWN IS PER PIECE. PRODUCT IMAGE PRICES ARE APPROXIMATE GUIDE ONLY.
PRICES SHOWN ARE SUBJECT TO CHANDE WITHOUT PRIOR NOTICE.

F23
FUEL TANK

LN25W1-6C (JOYMAX250
CKD TO 馬來西亞)



Pictures reference only

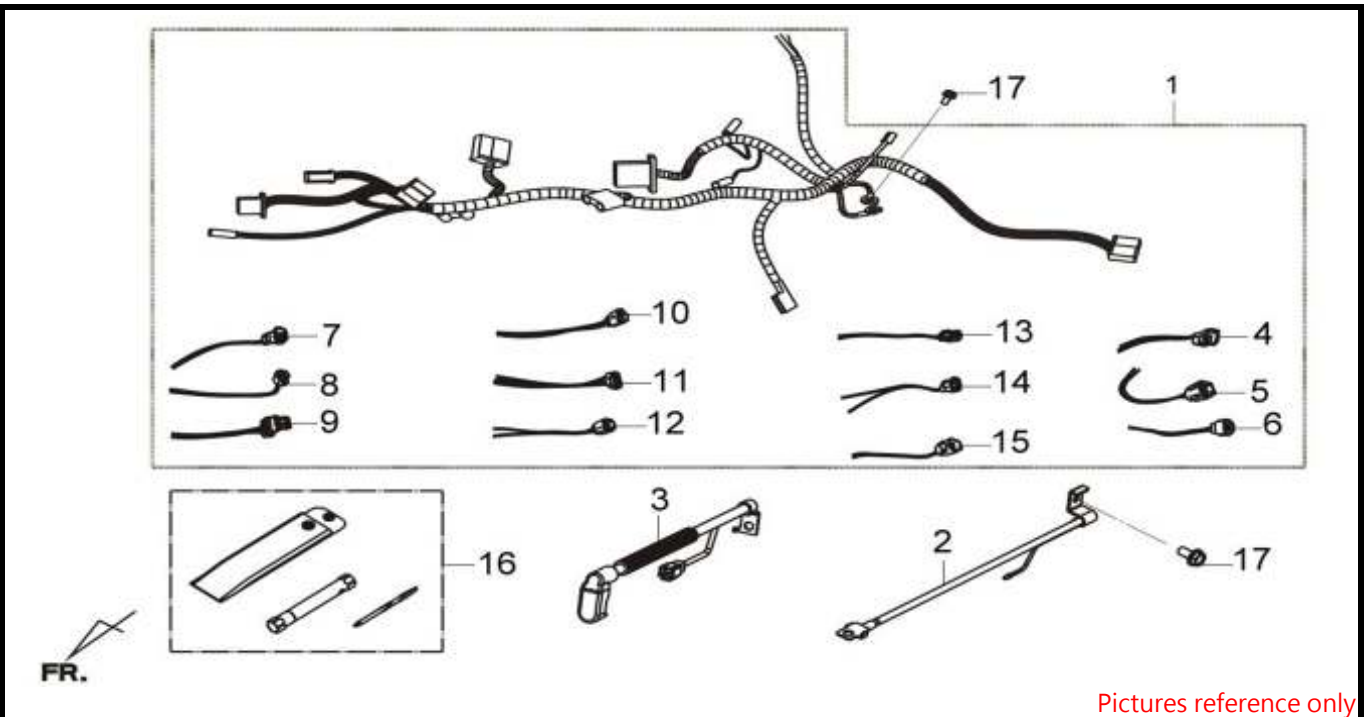
NO	PARTS NUMBER	SELLING PRICE (RM / UNIT)	DESCRIPTION	QTY	EFFECTIVE DATE
1	1670A-HWA-000	660.60	FUEL PUMP ASSY	1	
2	16730-L2E-000	97.70	FUEL TUBE	1	
3	17500-L3A-010	349.60	FUEL TANK	1	
4	17508-L3A-000	14.40	FUEL TANK HEAT GUARD	1	
5	17512-L3A-010	5.80	PACKING FILTER NECK	1	
6	17580-L3A-010	29.10	FUEL CUT VALVE ASSY	1	
7	17581-HMA-000	27.50	FUEL CUT VALVE(LIYANG)	1	
8	17585-L3A-010	8.50	TANK-FCV TUBE	1	
9	19505-H5D-000	8.60	HOSE CLAMP	2	
10	37800-LEA-000	41.10	FUEL UNIT	1	
11	37801-A5L-000	9.30	FUEL FILTER PACKING	1	
12	37804-LEA-000	1.30	FUEL UNIT STAY	1	
13	90106-LEA-000	1.30	FUEL PUMP BOLT	6	
14	90111-GJ5-000	0.70	BOLT FLANGE 6MM	2	
15	93404-06012-07	0.80	WASHER BOLT 6X12	4	
16	93903-HGC-000	0.80	TAPPING SCREW	1	
17	95002-02080	0.80	BREATHER TUBE CLIP B8	1	
18	95002-50000	1.30	TUBE CLIP C9 5MM	1	
19	*32162-H6T-000	5.80	CLIP 2*100	2	2013/07/22
20	16711-M9Q-000	65.20	FUEL PUMP FILTER SCREEN	1	
21	16712-M9Q-000	4.10	PUSH NUT	1	

TEAMWORLD IND.

PRICE SHOWN IS PER PIECE. PRODUCT IMAGE PRICES ARE APPROXIMATE GUIDE ONLY.
PRICES SHOWN ARE SUBJECT TO CHANDE WITHOUT PRIOR NOTICE.

F24
WIRE HARNESS

LN25W1-6C (JOYMAX250 CKD
TO 馬來西亞)



Pictures reference only

NO	PARTS NUMBER	SELLING PRICE (RM / UNIT)	DESCRIPTION	QTY	EFFECTIVE DATE
1	32100-L3D-010	695.80	WIRE HARNESS	1	
1	32100-L3D-100	1090.60	WIRE HARNESS	1	2013/11/01
2	32412-L3A-000	49.80	EARTH CABLE	1	
3	32415-LEA-000	18.90	EARTH CABLE B	1	
4	32609-M9Q-000	27.50	O2 SENSOR SUB.CORD	1	
5	32610-M9Q-000	21.20	FUEL PUMP SUB.CORD	1	
6	32621-M9Q-000	25.60	TPS SUB.CORD	1	
7	32626-M9Q-000	18.90	ACG.SUB.CORD	1	
8	32629-M9Q-000	18.90	TE SUB.CORD	1	
9	32631-M9Q-000	30.20	DIAGNOSTIC SUB.CORD	1	
10	32632-M9Q-000	30.20	MAP SUB.CORD	1	
11	32633-M9Q-000	42.90	ISC SUB.CORD	1	
12	32636-M9Q-000	22.30	AISV SUB.CORD	1	
13	32637-M9Q-000	34.40	INJECTOR SUB.CORD	1	
14	32638-M9Q-000	20.60	TAS SUB.CORD	1	
15	32639-M9Q-000	27.50	BATT.OPEN CONTROL SUB.CORD	1	
16	89010-M92-000	27.50	TOOL SET	1	
17	95801-06012-07	0.80	FLANGE BOLT 6X12	2	

TEAMWORLD IND.

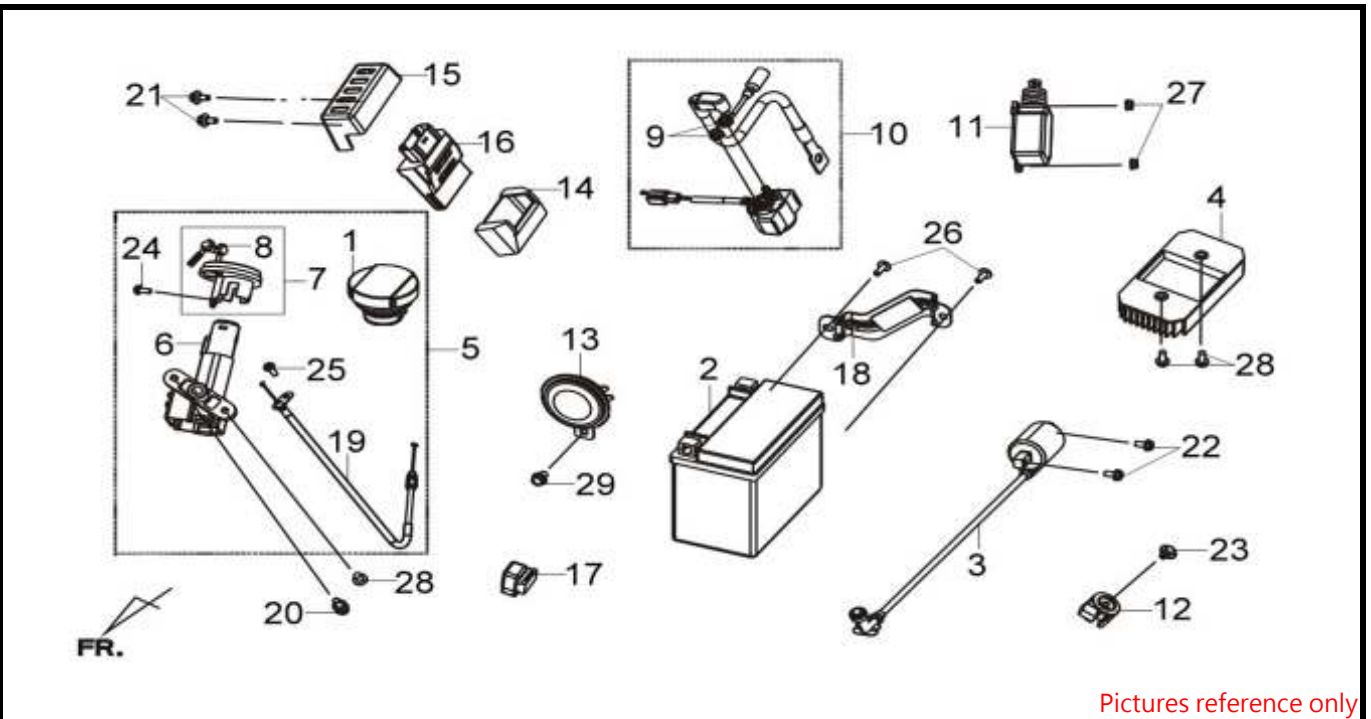
● Please check the color & stripe information according to the color index !

2013/04

PRICE SHOWN IS PER PIECE. PRODUCT IMAGE PRICES ARE APPROXIMATE GUIDE ONLY.
PRICES SHOWN ARE SUBJECT TO CHANDE WITHOUT PRIOR NOTICE.

F25
ELECTRIC PART

LN25W1-6C (JOYMAX250
CKD TO 馬來西亞)



Pictures reference only

NO	PARTS NUMBER	SELLING PRICE (RM / UNIT)	DESCRIPTION	QTY	EFFECTIVE DATE
1	17620-L4A-000	96.30	FUEL FILLER CAP COMP	1	
2	1Y01BAA01-Y	394.10	BATTERY ASSY.YT12A-BS	1	
3	3051A-L3A-000	125.20	IGNITION COIL ASSY	1	
4	31600-L4A-000	315.30	REG. REC. ASSY	1	
5	35010-L3A-000	294.80	KEY SET	1	
6	35100-L4A-000	161.70	COMB.SW.ASS'Y	1	
7	35110-L4A-000	102.10	SHUTTER COMP	1	
8	35111-L4A-000-B01/20	31.60	KEY	1	
9	35859-M9Q-000	0.90	STAR MAG. SW NUT	1	
10	3585A-L3A-000	118.30	START MAG. SW. ASSY	1	
11	35880-HMB-000	75.40	LINER MOTOR ASSY.	1	
12	36500-HMA-000	41.10	SIDE STAND SW COMP	1	
13	38110-L3A-000	42.90	HORN COMP	1	
14	38700-L4A-900	12.10	ECU SUSPENSION	1	
15	38701-L3A-000	7.50	ECU COVER	1	
16	38710-L4A-000-11	449.10	ENG.CONT UNIT(L2E-01A)	1	
17	38800-H5B-000	36.00	ELECTRIC RELAY UNIT	1	
18	50324-L3A-000	29.10	BATTERY BAND	1	
19	77240-L3A-010	44.60	SEAT LOCK CABLE	1	
20	90085-HHA-900	2.00	SELF LOCKING BOLT 6*16	1	
21	90111-N01-000	1.30	FLANGE BOLT 6MM	2	

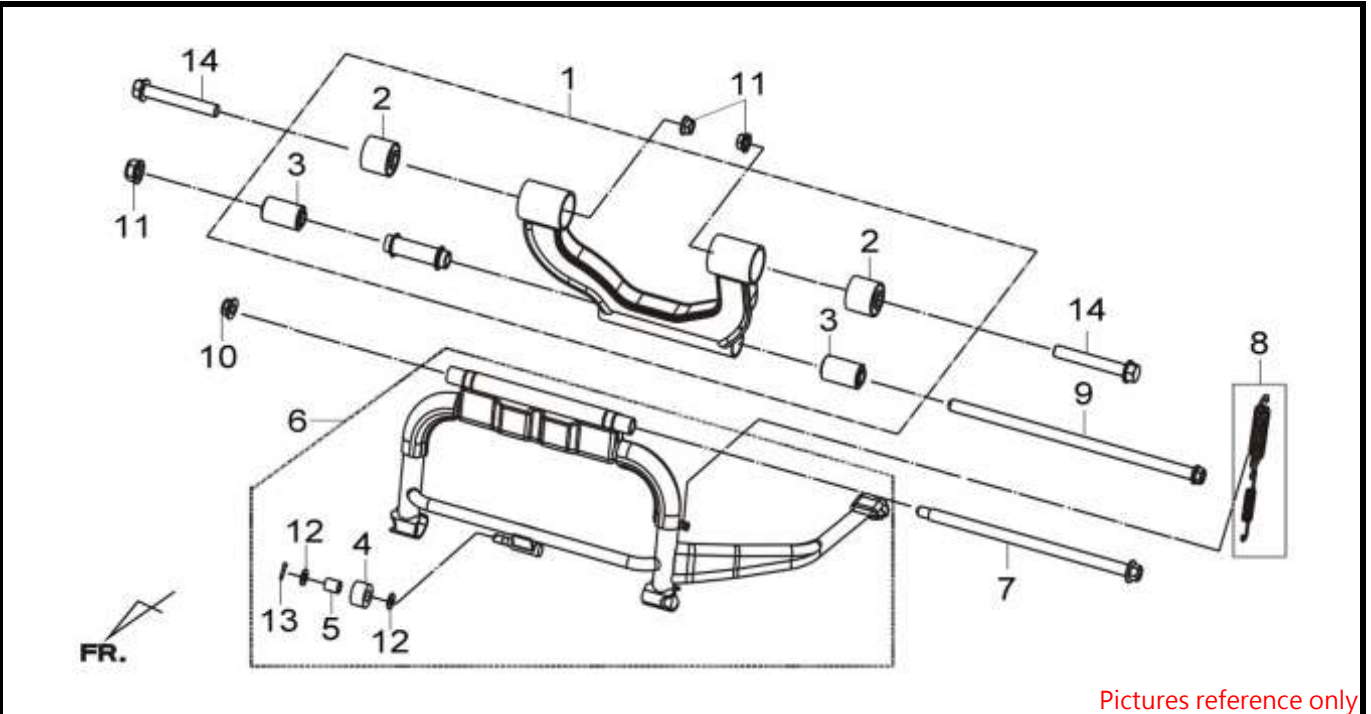
PRICE SHOWN IS PER PIECE. PRODUCT IMAGE PRICES ARE APPROXIMATE GUIDE ONLY.
PRICES SHOWN ARE SUBJECT TO CHANDE WITHOUT PRIOR NOTICE.

22	90112-M9Q-000	1.60	FLANGE BOLT 5*22	2
23	93404-06016-07	0.80	BOLT WASHER 6X16	1
24	93891-05008-08	0.80	WASHER SCREW 5*8	1
25	93892-05012-08	2.50	WASHER SCREW 5X12	1
26	93903-45280	0.80	TAPPING SCREW 5X12	2
27	94050-06080	1.00	FLANGE NUT 6MM	2
28	95801-06016-08	1.00	FLANGE BOLT 6X16	3
29	95801-08012-08	1.30	FLANGE BOLT 8X12	1

●Please check the color & stripe information according to the color index !

F26
MAIN STAND ASSY

LN25W1-6C (JOYMAX250 CKD
TO 馬來西亞)



Pictures reference only

NO	PARTS NUMBER	SELLING PRICE (RM / UNIT)	DESCRIPTION	QTY	EFFECTIVE DATE
1	50350-L2A-000	195.40	ENG. HANGER LINK ASSY	1	
2	50353-HHA-000	14.40	SWING LOCK BUSH	2	
3	50357-HMA-000	9.30	ENG. HANGER BUSH	2	
4	50505-H3A-000	3.30	STAND STOPPER RUBBER	1	
5	50506-H3A-000	3.30	STOP RUBBER COLLAR	1	
6	5050A-L3A-000	205.60	MAIN STAND ASSY	1	
7	50512-H6B-000	10.90	MAIN STAND PIVOT BOLT	1	
8	5052A-L3A-010	9.30	SIDE STAND SPRING ASSY	1	
8	*5052A-L3A-020	9.30	MAIN STAND SPG.ASSY	1	2014/01/20
9	90107-L3A-000	22.90	FLANGE BOLT 12*268	1	
10	90304-M9Q-000	4.80	NUT U FLANGE 10MM	1	
11	90306-M9Q-000	6.10	SELF LOCK NUT 12MM	3	
12	94102-08800	0.80	PLAIN WASHER 8mm	2	
13	94201-25200	1.70	PIN SPLIT 2.5X20	1	
14	95801-12095-07	6.90	FLANGE BOLT 12*95	2	

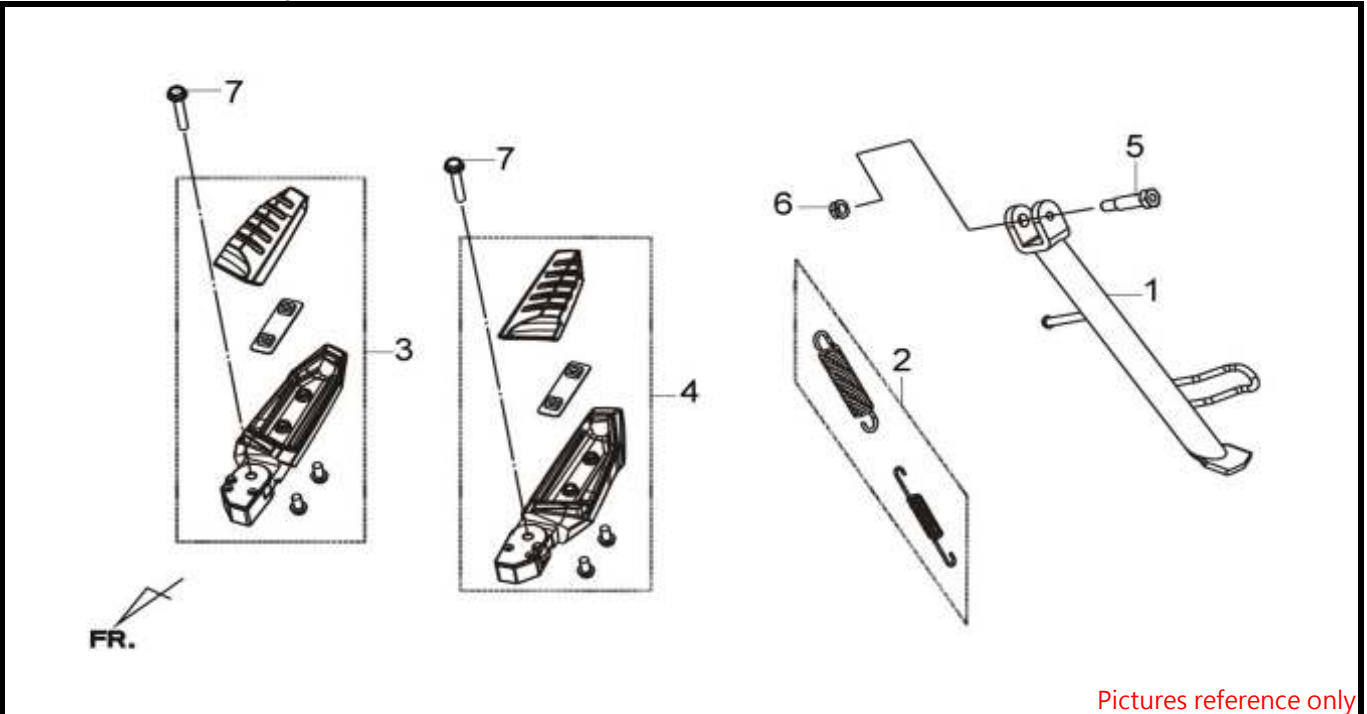
●Please check the color & stripe information according to the color index !

TEAMWORLD IND.
2013/04

PRICE SHOWN IS PER PIECE. PRODUCT IMAGE PRICES ARE APPROXIMATE GUIDE ONLY.
PRICES SHOWN ARE SUBJECT TO CHANDE WITHOUT PRIOR NOTICE.

F27
SIDE STAND & R/L. STEP BAR

LN25W1-6C (JOYMAX250
CKD TO 馬來西亞)



Pictures reference only

NO	PARTS NUMBER	SELLING PRICE (RM / UNIT)	DESCRIPTION	QTY	EFFECTIVE DATE
1	50530-HMA-100	29.10	SIDE STAND COMP	1	
2	5053A-HMA-000	5.80	SIDE STAND SPRING ASSY.	1	
3	5071A-L3A-000-IE	113.10	R. STEP BAR SET(GY-820)	1	2013/05/14
4	5071B-L3A-000-IE	113.10	L. STEP BAR SET(GY-820)	1	2013/05/14
5	90108-HMA-000	2.80	SIDE STAND PIVOT SCREW	1	
6	94030-08080	0.40	HEX NUT 8MM	1	
7	95801-06040-07	1.30	FLANGE BOLT 6X40	2	

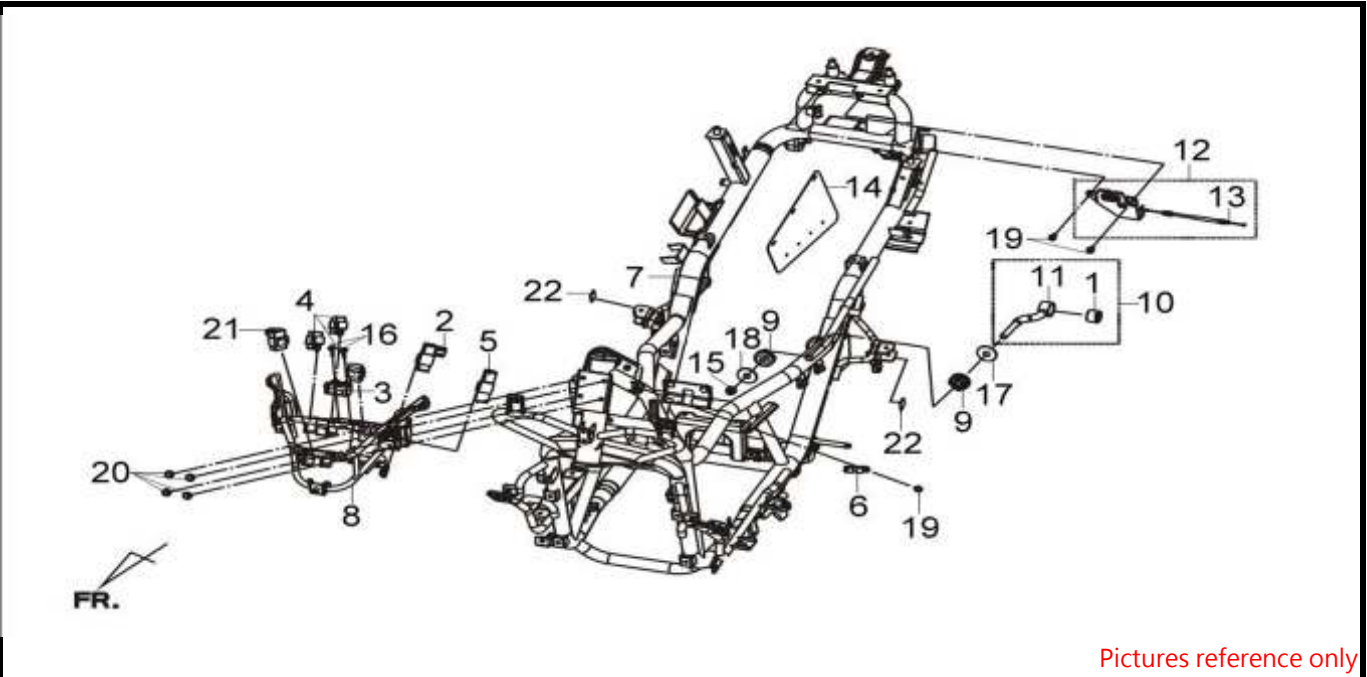
●Please check the color & stripe information according to the color index !

 **TEAMWORLD IND.**
2013/04

PRICE SHOWN IS PER PIECE. PRODUCT IMAGE PRICES ARE APPROXIMATE GUIDE ONLY.
PRICES SHOWN ARE SUBJECT TO CHANDE WITHOUT PRIOR NOTICE.

**F28
FRAME BODY**

LN25W1-6C (JOYMAX250
CKD TO 馬來西亞)

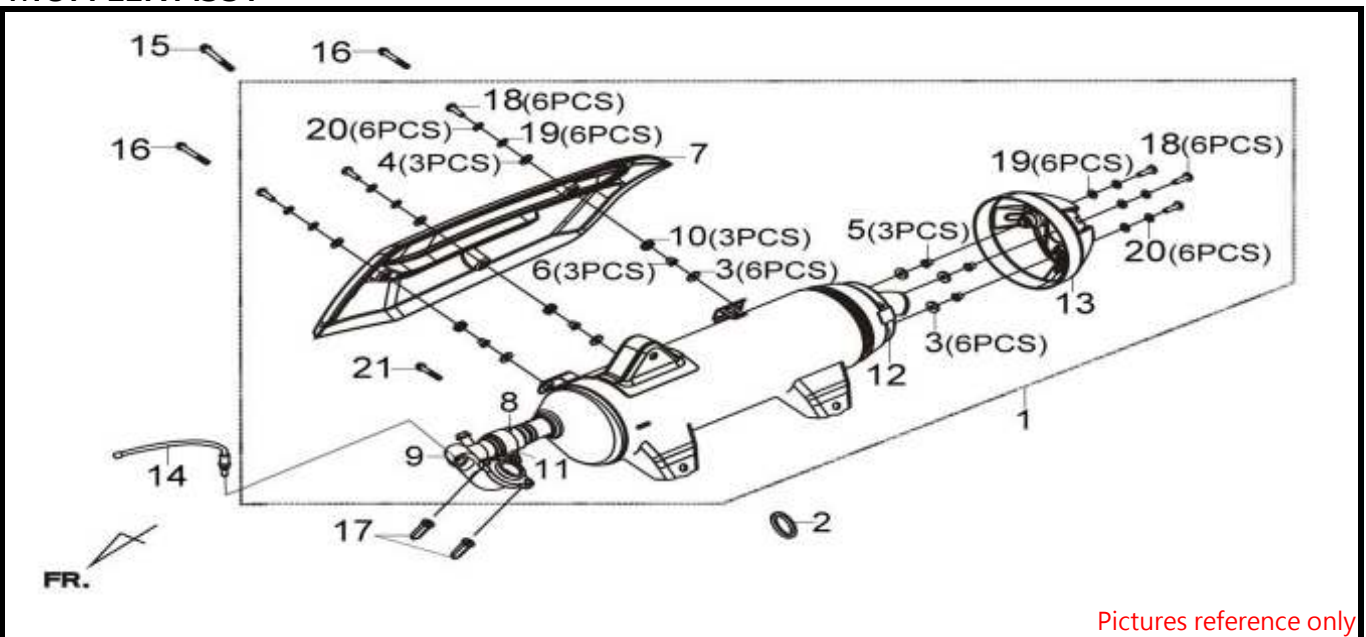


Pictures reference only

NO	PARTS NUMBER	SELLING PRICE (RM / UNIT)	DESCRIPTION	QTY	EFFECTIVE DATE
1	11102-H9A-300	5.50	ENG. HANGER RUB. BUSH	1	
2	3043A-REA-000	49.80	BATTERY OPEN CONTROL ASSY	1	
3	36100-MMA-100	99.40	ROLL OVER SENSOR ASSY	1	
4	3850A-HLA-010	34.40	ELEC. RELAY ASSY.	3	
5	3872A-L3D-000	186.80	HAZARD CONTROL UNIT ASSY	1	
6	45156-HMA-000	3.40	BRAKE HOSE CLAMP	1	
7	5010N-L2A-020	2166.50	FRAME BODY COMP SET	1	
8	50315-L3A-000	274.20	FR. COVER STAY	1	
9	50352-L3A-000	6.60	STOPPER RUBBER	2	
10	50380-L2A-000	34.40	TENSION ROD ASSY	1	
11	50381-L2A-000	29.10	TENSION ROD	1	
12	77230-L3A-000	32.50	SEAT CATCH ASSY	1	
13	77241-L3A-000	12.10	SEAT LOCK CABLE B	1	
14	80103-HMA-000	12.10	L. SPLASH BOARD PLATE	1	
15	90304-M9Q-800	2.80	FLANGE U NUT 10MM	1	
16	93894-04022-08	1.00	WASHER SCREW	2	
17	94103-L2A-000	6.10	PLAIN WASHER 12MM	1	
18	94103-L3A-000	5.20	PLAIN WASHER 40MM	1	
19	95801-06012-08	0.80	FLANGE BOLT 6X12	3	
20	95801-08012-08	1.30	FLANGE BOLT 8X12	4	
21	33800-VS1-001	106.20	HEAD LIGHT CONTROL UNIT	1	
21	33800-VS1-010	106.20	HEAD LIGHT CONTROL UNIT	1	2013/07/15
22	83619-L3A-000	2.50	RUBBER	2	

F29
MUFFLER ASSY

LN25W1-6C (JOYMAX250
CKD TO 馬來西亞)



NO	PARTS NUMBER	SELLING PRICE (RM / UNIT)	DESCRIPTION	QTY	EFFECTIVE DATE
1	18000-L2A-000	2218.20	EXH. MUFFLER ASSY(CATALYST)	1	
2	18291-H9A-000	6.90	EXHAUST PIPE GASKET	1	
3	18292-F3E-000	4.10	PROTECTOR PACKING A	6	
4	18293-F3E-000	1.00	PROTECTOR PACKING	3	
5	18295-A1A-000	2.80	COLLAR M6	3	
6	18295-F3E-000	2.80	COLLAR M6	3	
7	18318-L3A-300	183.40	MUFFLER PROTECTOR	1	
8	18319-HMA-300	30.80	MUFFLER GASKET	1	
9	18320-L2A-300	207.40	EXH.PIPE COMP	1	
10	18321-L1A-000	3.30	PROTECTOR RUBBER	3	
11	18321-RB1-000	18.90	MUFFLER BAND 37MM	1	
12	18324-L3A-000	130.20	OUTER TAIL CAP COMP	1	
13	18328-L3A-000	84.00	MUFFLER REAR PROTECTOR	1	
14	37890-A5L-000	392.50	O2 SENSOR	1	
15	90001-L3A-000	3.30	FLANGE BOLT M10X60	1	
16	90002-L3A-000	2.50	FLANGE BOLT M10X50	2	
17	90043-HMA-000	4.10	CAP NUT	2	
18	90116-L4A-000	3.30	SPECIAL BOLT M6*22	6	
19	94101-06700	1.00	PLAIN WASHER 6MM	6	
20	94111-06700	0.40	SPRING WASHER 6MM	6	
21	95801-08040-07	1.70	FLANGE BOLT M8X40	1	

TEAMWORLD IND.

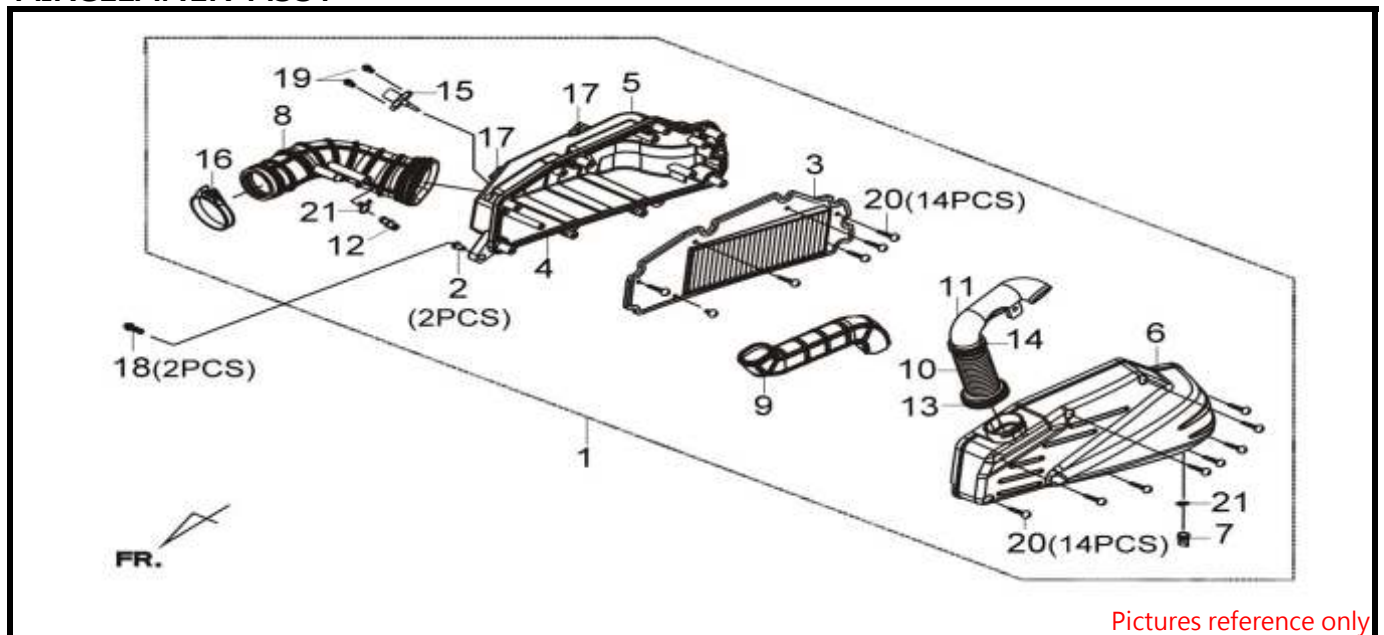
●Please check the color & stripe information according to the color index !

2013/04

PRICE SHOWN IS PER PIECE. PRODUCT IMAGE PRICES ARE APPROXIMATE GUIDE ONLY.
PRICES SHOWN ARE SUBJECT TO CHANDE WITHOUT PRIOR NOTICE.

F30
AIRCLEANER ASSY

LN25W1-6C (JOYMAX250
CKD TO 馬來西亞)



NO	PARTS NUMBER	SELLING PRICE (RM / UNIT)	DESCRIPTION	QTY	EFFECTIVE DATE
1	17200-L3A-000	291.40	AIR/C ASSY	1	
2	17208-L3A-000	8.20	AIR/C SET COLLAR	2	
3	17211-HMA-000	56.60	AIR/C ELEMENT COMP	1	
4	17214-HMA-000	6.90	AIR/C COVER SEAL	1	
5	17230-L3A-000	54.80	AIR/C CASE COMP	1	
6	17231-L3A-000	34.40	AIR/C COVER	1	
7	17234-M51-000	2.50	AIR CLEANER DRAIN TUBE	1	
8	17253-L3A-000	51.40	AIR/C CONNECTING TUBE	1	
9	17255-HMA-000	21.20	AIR/C INLET DUCT	1	
10	17257-HMA-000	17.10	AIR/C DUCT A	1	
11	17258-H9A-000	15.40	AIR/C CASE DUCT B	1	
12	17359-M9Q-000	3.30	BREATHER TUBE JOINT	1	
13	18362-HMA-000	17.10	BAND SILENCR SEAL	1	
14	18362-KA4-700	1.30	BAND SILENCR SEAL	1	
15	37830-HMC-000	47.90	AIR TEMP SENSOR	1	
16	90652-HMA-000	8.60	AIR/C CONN.TUBE BAND 48	1	
17	90677-GR1-003	2.00	CLIP NUT 5X0.8	2	
18	93404-06040-07	0.80	WASHER BOLT 6X40	2	
19	93891-05016-07	1.30	WASHER SCREW 5X16	5	2013/11/01
20	93903-25480	0.60	TAPPING SCREW 5X20	14	
21	95002-80000	1.00	TUBE CLIP C12	1	

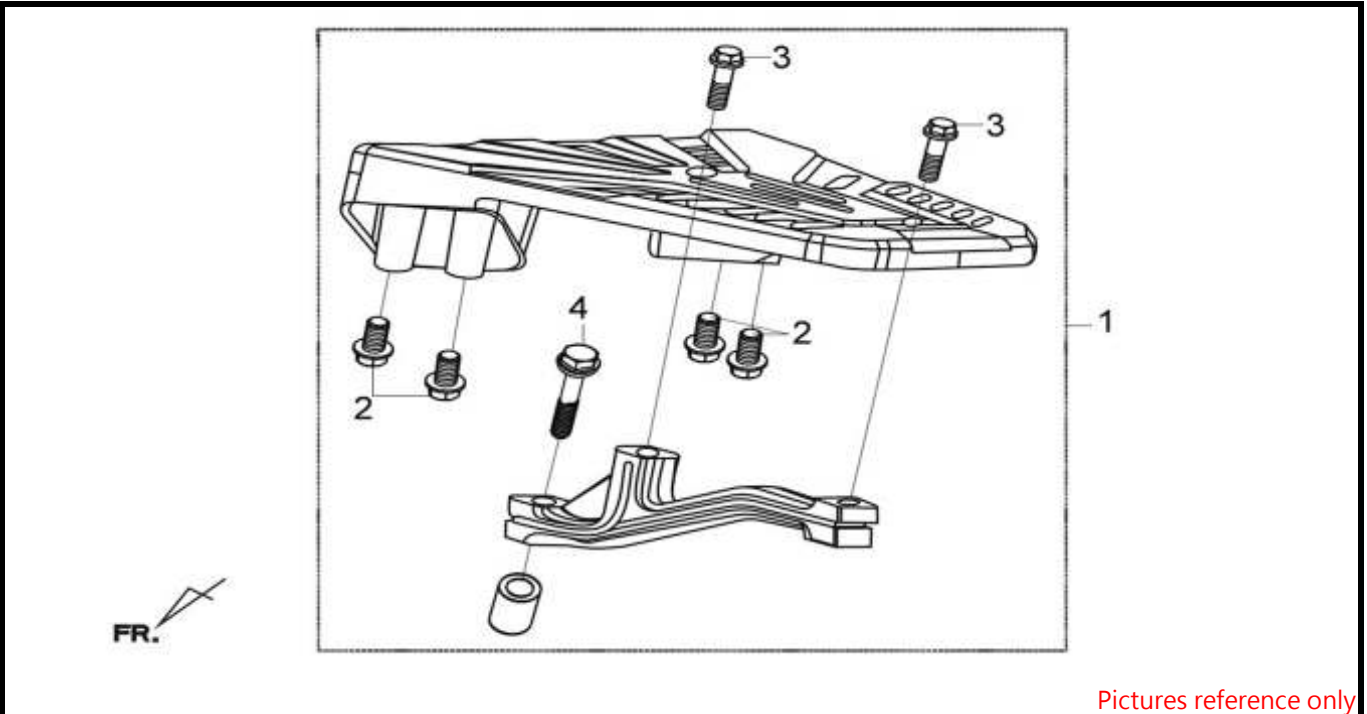
TEAMWORLD IND. 2013/04

● Please check the color & stripe information according to the color index !

PRICE SHOWN IS PER PIECE. PRODUCT IMAGE PRICES ARE APPROXIMATE GUIDE ONLY.
PRICES SHOWN ARE SUBJECT TO CHANDE WITHOUT PRIOR NOTICE.

F31
TRUNK BOX BRKT. ASSY

LN25W1-6C (JOYMAX250 CKD
TO 馬來西亞)



NO	PARTS NUMBER	SELLING PRICE (RM / UNIT)	DESCRIPTION	QTY	EFFECTIVE DATE
1	8131A-L3A-610	386.00	TRUNK BOX BRACKET ASSY	1	
2	93406-08025-07	1.70	WASHER BOLT 8X25	4	
3	93406-08028-00	2.50	WASHER BOLT 8X28	2	
4	95801-08060-07	2.00	FLANGE BOLT 8X60	1	

●Please check the color & stripe information according to the color index !

 TEAMWORLD IND. 2013/04

PRICE SHOWN IS PER PIECE. PRODUCT IMAGE PRICES ARE APPROXIMATE GUIDE ONLY.
PRICES SHOWN ARE SUBJECT TO CHANDE WITHOUT PRIOR NOTICE.

PARTS NO.	NO.	PARTS NO.	NO.	PARTS NO.	NO.
06414-LEF-000	E04	13000-L2A-000	E08	16401-L2E-00A	E04
06415-HNS-000	E04	13010-HMA-000	E07	1670A-HWA-000	F23
06416-HNS-000	E04	13101-HMA-000	E07	16730-L2E-000	F23
11100-HMA-001	E09	13111-HMA-000	E08	1711A-L2E-000	E04
11102-H9A-300	F28	13201-LEA-000	E08	17120-HNS-010	E04
11107-HMA-000	E09	13371-HMA-300	E08	17200-L3A-000	F30
11120-LEA-000	E17	13381-HMA-300	E08	17208-L3A-000	F30
11120-LEA-000	E09	14100-HML-000	E05	17211-HMA-000	F30
11133-A1A-300	E17	14105-RFA-000	E05	17214-HMA-000	F30
11191-HMA-000	E09	14105-X01-000	E05	17221-LEA-000	E18
11200-L2A-000	E17	14108-M36-000	E05	17230-L3A-000	F30
11203-GC7-300	F11	14151-RFA-000	E09	17231-L3A-000	F30
11203-GC7-300	E17	1443A-HMA-000	E02	17234-M51-000	F30
11211-L3A-000	E20	1444A-HMA-000	E02	17236-FWA-000	F22
1122A-HMA-000	E13	14451-HMA-000	E02	17253-L3A-000	F30
11330-L3A-000	E10	14457-HMA-000	E05	17255-HMA-000	F30
11341-HMA-000	E18	14510-RFA-000	E05	17257-HMA-000	F30
11342-HMA-000	E18	14520-H6T-000	E07	17258-H9A-000	F30
11343-HMA-000	E18	14522-H6T-000	E07	17359-M9Q-000	F30
11344-HMA-000	E18	14523-M9Q-000	E07	17370-M9Q-000	E20
11346-HMA-000	E18	14524-H6T-000	E07	17371-M9Q-000	E20
11351-HMA-000-GYK	E18	14525-H6T-000	E07	17380-H6A-000	E20
11352-HMA-000	E18	14531-KJ9-000	E05	17385-H6A-000	E20
11353-HMA-000	E18	14610-RFA-000	E05	1738A-L3A-000	E20
1135A-HMA-000-GYK	E18	14711-HMA-000	E02	17500-L3A-010	F23
1137A-HMA-000	E18	14721-HMA-000	E02	17508-L3A-000	F23
11394-HMA-000	E10	14751-HMA-000	E02	17512-L3A-010	F23
11395-HMA-000	E18	14761-HMA-000	E02	17562-L2A-000	E20
11832-L3A-000	E10	14771-GB4-680	E02	17570-HMC-000	E19
12100-HMA-000	E07	14777-KN7-670	E02	17571-L3A-000	E19
12100-HMA-000-A	E07	14781-M9Q-000-A	E02	17574-L2A-000	E19
12191-HMA-000	E07	15100-HMA-000	E16	17576-L2A-010	E19
12200-HMC-000	E03	15126-B8A-000	E16	1757A-L3A-000	E19
12209-H6B-900	E02	15132-HMA-000	E16	17580-L3A-010	F23
12251-HMA-000	E07	15133-HMA-000	E16	17581-HMA-000	F23
12301-HMA-000	E01	15421-B9D-000	E10	17585-L3A-010	F23
1231A-L3A-000	E06	15426-GE1-920	E10	17590-HMC-000	E19
12342-G02-000	E07	1565A-HMA-000	E10	17591-HMC-000	E19
12342-X01-000	E06	15711-HML-000	E16	17592-HMC-000	E19
12342-X01-000	E03	15713-HMC-010	E15	17620-L4A-000	F25
12342-X01-000	E01	15772-500-013	E20	17910-L3A-000	F05
12342-X01-000	E10	1614-906-0002	E04	17920-L3A-000	F05
12363-L2E-010	E01	16201-HMC-000	E04	18000-L2A-000	F29
1236A-V02-000	E10	1621A-HMC-000	E04	18241-L3A-000	E10
12391-HMA-000	E01	16401-L2E-000	E04	18291-H9A-000	F29

PRICE SHOWN IS PER PIECE. PRODUCT IMAGE PRICES ARE APPROXIMATE GUIDE ONLY.
 PRICES SHOWN ARE SUBJECT TO CHANDE WITHOUT PRIOR NOTICE.

PARTS NO.	NO.	PARTS NO.	NO.	PARTS NO.	NO.
18292-F3E-000	F29	19604-H01-000	E14	3051A-L3A-000	F25
18293-F3E-000	F29	1B01HMA01	E11	31110-L3A-000	E15
18295-A1A-000	F29	1C14401-RFA-000	E05	31120-L3A-000	E15
18295-F3E-000	F29	1C15141-HMA-000	E16	31200-HMA-000	E09
18318-L3A-300	F29	1PCR8E-3	E03	31600-L4A-000	F25
18319-HMA-300	F29	1T011207014-MAPRO	F08	32100-L3D-010	F24
18320-L2A-300	F29	1T011406013-MAPRO	F12	32160-A3A-900	F04
18321-L1A-000	F29	1Y01BAA01-Y	F25	32160-A3A-900	F05
18321-RB1-000	F29	21200-HMA-000	E13	32412-L3A-000	F24
18324-L3A-000	F29	21395-HMA-000	E13	32415-LEA-000	F24
18328-L3A-000	F29	22000-RB1-000	E11	32609-M9Q-000	F24
18362-HMA-000	F30	22101-HMA-000	E12	32610-M9Q-000	F24
18362-KA4-700	F30	22102-HMA-000	E11	32621-M9Q-000	F24
18533-M7Q-000	E19	22105-HMA-000	E11	32626-M9Q-000	F24
18610-L2E-000	E01	22110-HMA-000	E11	32629-M9Q-000	F24
18647-HMA-000	E01	22121-RB1-001-A	E11	32631-M9Q-000	F24
18654-N14-000	E01	22131-HMA-000	E11	32632-M9Q-000	F24
18659-L2A-000	E19	22132-HMA-000-A	E11	32633-M9Q-000	F24
18811-N14-000	E19	22300-L3D-000	E12	32636-M9Q-000	F24
19005-HMA-000	F22	22350-HMA-000	E12	32637-M9Q-000	F24
19010-L3A-000	F22	22361-HMA-000	E12	32638-M9Q-000	F24
19039-LVA-000	F22	22401-HMA-000	E12	32639-M9Q-000	F24
19104-M9Q-000	F22	22530-L3D-000-A	E12	33102-L3A-004	F01
19109-L3A-000	F22	22804-HMA-000	E12	3310A-L3A-004	F01
1910A-L3A-000	F22	23010-L2A-000	E12	3311A-L3A-000	F01
19111-H9A-000	F22	23200-HMA-000	E12	33124-FFA-000	F01
19125-L3A-000	F22	23210-HMA-000	E12	33139-L3A-000	F01
19126-L3A-000	F22	23220-HMA-000	E12	33152-L3A-004	F01
19215-HLA-000	E10	23225-HMA-000	E12	33180-L3A-000	F01
19217-H9A-300	E10	23226-HMA-000	E12	33181-L3A-000	F01
19229-H9A-000	E14	23233-HMA-000	E12	33310-L3A-000	F01
1922A-LEA-000	E14	23237-HMA-000	E12	33315-L3A-000	F01
19231-HMA-000	E10	23238-HMA-000	E12	33320-L3A-000	F01
19300-HMA-000	E03	23411-HMA-000	E13	33400-L3A-000	F04
19315-L3A-010	E03	23421-HMA-300	E13	33450-L3A-000	F04
19501-L3A-000	F22	23422-HMA-300	E13	33700-L3A-000	F18
19502-L3A-000	E03	23431-HMA-000	E13	33703-L3A-000	F18
19505-H5D-000	F23	23432-HMA-000	E13	33704-L3A-000	F18
19505-KS6-700	E14	28100-HMA-000	E09	33740-LEA-010	F19
19505-KS6-700	E03	28101-HMA-300	E09	33741-M9A-100	F19
19505-L3A-000	F22	28102-HMA-000	E09	34901-HE1-000	F01
19505-REA-000	F22	28105-HMA-300	E09	35010-L3A-000	F25
19509-HWA-000	F22	28110-HMA-000	E15	35100-L4A-000	F25
1950A-LEA-000	E14	2812A-L3A-000	E15	35110-L4A-000	F25
1951A-HMA-010	E03	3043A-REA-000	F28	35111-L4A-000-B01	F25

PRICE SHOWN IS PER PIECE. PRODUCT IMAGE PRICES ARE APPROXIMATE GUIDE ONLY.
 PRICES SHOWN ARE SUBJECT TO CHANGE WITHOUT PRIOR NOTICE.

PARTS NO.	NO.	PARTS NO.	NO.	PARTS NO.	NO.
35150-L4C-000	F05	43121-L3A-900	F12	5050A-L3A-000	F26
35200-HNL-000	F05	43311-L3A-000	F07	50512-H6B-000	F26
35340-KBN-900	F06	43312-L3A-000	F07	5052A-L3A-010	F26
35345-L3A-000	F16	43313-L3A-000	F07	50530-HMA-100	F27
35350-KBN-900	F07	43500-L3A-000	F07	5053A-HMA-000	F27
35360-L3A-000	F14	43502-HMA-000	F06	50611-HMA-000	F14
35370-M9P-000	F15	43502-HMA-000	F07	5071A-L3A-000-IE	F27
35859-M9Q-000	F25	44301-L3A-000	F09	5071A-L3A-000-IE	F27
3585A-L3A-000	F25	44311-L3A-000	F09	5071A-L3A-000-IE	F27
35880-HMB-000	F25	44601-L3A-000	F08	5071B-L3A-000-IE	F27
36100-MMA-100	F28	44601-L3A-000	F08	5071B-L3A-000-IE	F27
36500-HMA-000	F25	44601-L3A-000	F08	5071B-L3A-000-IE	F27
36600-A1A-010	F15	44620-L3A-000	F08	51400-L3A-000	F09
3700-A35B-0100	E04	44720-H9A-000	F08	51500-L3A-000	F09
37200-L2H-000	F03	44720-H9A-000	F12	5210A-L3A-000-IL	F11
37211-L3A-000	F03	44800-L3A-000	F09	5210A-L3A-000-IL	F11
37215-L3A-000	F03	45100-HMA-000	F06	5210A-L3A-000-IL	F11
37750-PC1-004	E03	45105-HMA-000-A	F06	52400-L3A-000-KB	F12
37760-HMA-000	F22	45120-L3A-000	F08	52400-L3A-000-KB	F12
37800-LEA-000	F23	45121-L3A-900	F08	52400-L3A-000-KB	F12
37801-A5L-000	F23	45126-L3A-000	F06	53100-L3A-000	F05
37804-LEA-000	F23	45156-HMA-000	F11	53104-N02-000	F05
37830-HMC-000	F30	45156-HMA-000	F28	53106-N02-000	F05
37880-HMC-000	E03	45500-L3A-000	F06	53108-N02-000	F05
37890-A5L-000	F29	45517-TFA-000	F06	53125-M9Q-000	F05
38110-L3A-000	F25	45517-TFA-000	F07	53140-L4A-000	F05
3850A-HLA-010	F28	46300-HMA-000	F07	53166-L4A-000	F05
38600-L4A-000	F13	5010N-L2A-020	F28	53175-HMA-000	F06
38650-L4A-000	F13	50300-L4A-000	F09	53178-HMA-000	F07
38700-L4A-900	F25	50301-HMA-000	F09	53200-L3A-000	F09
38701-L3A-000	F25	50306-M9Q-000	F09	53204-L3A-000-IP	F04
38710-L4A-000-11	F25	50308-HMA-000	F09	53204-L3A-000-KX	F04
3872A-L3D-000	F28	50315-L3A-000	F28	53204-L3A-000-QU	F04
38800-H5B-000	F25	50324-L3A-000	F25	53205-L3A-000-KA	F04
38900-L3A-000	F03	50326-L3A-000-IL	F13	53205-L3A-000-KA	F04
42311-H9A-000	F11	50326-L3A-000-IL	F13	53205-L3A-000-KA	F04
42601-L3A-000-KB	F12	50326-L3A-000-IL	F13	53206-HMA-900	F05
42601-L3A-000-KB	F12	50350-L2A-000	F26	53207-HMA-900	F05
42601-L3A-000-KB	F12	50352-L3A-000	F28	53208-L3A-000-KA	F03
42753-KJ9-000	F08	50353-HHA-000	F26	53208-L3A-000-KA	F03
42753-M92-300	F12	50357-HMA-000	F26	53208-L3A-000-KA	F03
43100-L3A-000-SH	F07	50380-L2A-000	F28	5320G-L3A-000-IL	F03
43100-L3A-000-SH	F07	50381-L2A-000	F28	5320G-L3A-000-IL	F03
43100-L3A-000-SH	F07	50505-H3A-000	F26	5320G-L3A-000-IL	F03
43108-L3A-000-A	F07	50506-H3A-000	F26	53211-HMA-000	F09

PRICE SHOWN IS PER PIECE. PRODUCT IMAGE PRICES ARE APPROXIMATE GUIDE ONLY.
 PRICES SHOWN ARE SUBJECT TO CHANGE WITHOUT PRIOR NOTICE.

PARTS NO.	NO.	PARTS NO.	NO.	PARTS NO.	NO.
53214-L4A-000	F09	64320-L4A-000	F20	81132-L3A-000-KA	F14
53215-HMA-000	F09	64321-L3A-000-KA	F21	81132-L3A-000-KA	F14
53215-L3A-000	F03	64321-L3A-000-KA	F21	81132-L3A-000-KA	F14
53220-HMA-000	F09	64321-L3A-000-KA	F21	81134-L3A-000	F14
61100-L3A-000-IP4	F10	64322-L3A-000-KA	F21	81141-L3A-000-IL	F13
61100-L3A-000-KX2	F10	64322-L3A-000-KA	F21	81141-L3A-000-IL	F13
61100-L3A-000-QU1	F10	64322-L3A-000-KA	F21	81141-L3A-000-IL	F13
61105-RCA-000	F05	64323-L3A-000-KA	F13	81142-L3A-000	F13
61312-149-300	F03	64323-L3A-000-KA	F13	81143-L3A-000	F13
64300-L3A-001-IL	F02	64323-L3A-000-KA	F13	81152-L3A-000-KA	F13
64300-L3A-001-IL	F02	64324-L3A-000-KA	F13	81152-L3A-000-KA	F13
64300-L3A-001-IL	F02	64324-L3A-000-KA	F13	81152-L3A-000-KA	F13
64301-L3A-000-IP	F02	64324-L3A-000-KA	F13	81153-HMA-100	F20
64301-L3A-000-KX	F02	67101-L3A-000	F03	8115A-L3A-000	F13
64301-L3A-000-QU	F02	6710A-L3A-000-IL	F03	8116A-L3A-000	F13
64303-L3A-000	F02	6710A-L3A-000-IL	F03	81200-L3A-000-IL	F17
64304-L3A-000-IP	F02	6710A-L3A-000-IL	F03	81200-L3A-000-IL	F17
64304-L3A-000-KX	F02	74480-L3A-000	F16	81200-L3A-000-IL	F17
64304-L3A-000-QU	F02	74481-HMA-100	F15	81210-L3A-000-IL	F17
64304-X01-000	F02	77101-L3A-000	F16	81210-L3A-000-IL	F17
64304-X01-000	F03	77111-L3A-000	F16	81210-L3A-000-IL	F17
64305-L3A-000-IP	F02	77112-L3A-000	F16	8125A-L3A-010-KA	F15
64305-L3A-000-KX	F02	77115-L3A-000	F15	8125A-L3A-010-KA	F15
64305-L3A-000-QU	F02	77200-L3A-000	F16	8125A-L3A-010-KA	F15
64306-L3A-000	F02	77202-HMA-100	F16	8125B-L3A-000	F15
64308-L3A-000	F01	77203-HMA-900	F16	8131A-L3A-610	F31
64310-L3A-000-KA	F20	77230-L3A-000	F28	83500-L3A-000-IP	F18
64310-L3A-000-KA	F20	77240-L3A-010	F25	83500-L3A-000-KX	F18
64310-L3A-000-KA	F20	77241-L3A-000	F28	83500-L3A-000-QU	F18
64311-L3A-000-KA	F20	77300-L3A-000	F16	8352G-L3A-000-IP	F21
64311-L3A-000-KA	F20	77400-L3A-000-KA	F17	8352G-L3A-000-KX	F21
64311-L3A-000-KA	F20	77400-L3A-000-KA	F17	8352G-L3A-000-QU	F21
64313-F3C-000-KA	F20	77400-L3A-000-KA	F17	83600-L3A-000-IP	F18
64313-F3C-000-KA	F20	80100-L3A-000-KA	F19	83600-L3A-000-KX	F18
64313-F3C-000-KA	F20	80100-L3A-000-KA	F19	83600-L3A-000-QU	F18
64313-L3A-000-IL	F21	80100-L3A-000-KA	F19	8362G-L3A-000-IP	F21
64313-L3A-000-IL	F21	80103-HMA-000	F28	8362G-L3A-000-KX	F21
64313-L3A-000-IL	F21	80104-HMA-000	F15	8362G-L3A-000-QU	F21
64314-L3A-000-IL	F21	80105-L3A-000	F19	87121-A5W-000-T2	F21
64314-L3A-000-IL	F21	80106-L3A-000-KA	F19	87121-A5W-000-T2	F21
64314-L3A-000-IL	F21	80106-L3A-000-KA	F19	87121-A5W-000-T3	F21
64315-L3A-000	F20	80106-L3A-000-KA	F19	87121-A5W-000-T3	F21
64316-L3A-000	F20	81131-L3A-000-KA	F13	87121-A5W-000-T3	F21
64317-L3A-000	F20	81131-L3A-000-KA	F13	87121-A5W-000-T3	F21
64318-L3A-000	F20	81131-L3A-000-KA	F13	87126-L2A-000	F18

PRICE SHOWN IS PER PIECE. PRODUCT IMAGE PRICES ARE APPROXIMATE GUIDE ONLY.
 PRICES SHOWN ARE SUBJECT TO CHANGE WITHOUT PRIOR NOTICE.

PARTS NO.	NO.	PARTS NO.	NO.	PARTS NO.	NO.
87126-L2A-000	F18	90106-LEA-000	F23	90401-HMA-000	E13
87126-L2A-000	F18	90106-M9Q-000	F05	90401-KJ9-000	E15
87127-L2A-000	F18	90107-L3A-000	F26	90401-KJ9-000	E11
87127-L2A-000	F18	90108-HMA-000	F27	90401-KJ9-000	E12
87127-L2A-000	F18	90111-ADB-000	F19	90423-KJ9-000	E10
87129-HML-000	F18	90111-GJ5-000	F23	90442-HMA-000	E03
87129-HML-000	F18	90111-HKD-000	F20	90474-M9Q-000	E17
87129-HML-000	F18	90111-HKD-000	F13	90478-700-000	E14
87553-VS1-100	F04	90111-M9Q-800	F14	90481-M9Q-100	E17
88110-L3A-008-IP	F04	90111-M9Q-800	F15	90545-M9Q-000	F06
88110-L3A-008-KX	F04	90111-M9Q-800	F22	90545-M9Q-000	F07
88110-L3A-008-QU	F04	90111-M9Q-900	F13	90601-HMA-000	E08
88111-L3A-000	F04	90111-N01-000	F25	90602-HMA-000	E12
88112-L3A-000	F04	90112-L3A-000	F03	90652-HMA-000	F30
8811A-L3A-007-IP	F04	90112-M9Q-000	F25	90653-HMA-000	E04
8811A-L3A-007-KX	F04	90116-L2A-000	F03	90677-GR1-003	F19
8811A-L3A-007-QU	F04	90116-L3A-000	F03	90677-GR1-003	F18
88120-L3A-008-IP	F04	90116-L4A-000	F29	90677-GR1-003	F30
88120-L3A-008-KX	F04	90118-HAA-000	F21	90682-V02-900	E20
88120-L3A-008-QU	F04	90118-N02-000	F05	90701-HB6-010	E08
88121-L3A-000	F04	90145-M9Q-000	F06	90703-M8Q-000	E13
88122-L3A-000	F04	90145-M9Q-000	F07	90754-LEA-000	F08
8812A-L3A-007-IP	F04	90157-F3G-000	E15	90912-LEA-000	F08
8812A-L3A-007-KX	F04	90164-M9Q-000	F10	91001-HMA-000	E08
8812A-L3A-007-QU	F04	90201-KR8-751-M1	E15	91001-KJ9-005	E10
89010-M92-000	F24	90201-KR8-751-M1	E11	91002-HMA-000	E13
90001-L3A-000	F29	90201-KR8-751-M1	E12	91003-LEA-000	E08
90001-M9Q-000	E07	90202-HMA-000	E12	91006-HMA-300	E12
90002-HMA-000	E01	90206-HLK-000	E02	91007-HMA-300	E12
90002-L3A-000	F29	90301-GEO-000	F15	91009-HMC-000	E13
90012-HLK-000	E02	90302-M92-000	F02	91101-HMA-000	E16
90031-HMA-000	E09	90302-M92-000	F15	91103-A3F-000	E16
90032-HMA-000	E17	90302-M92-000	F03	91201-HMA-300	E08
90034-HMA-000	E03	90302-M92-000	F04	91202-HMA-000	E15
90043-HMA-000	F29	90304-M9Q-000	F26	91203-HMA-000	E13
90084-H9A-000	E10	90304-M9Q-800	F28	91204-HMA-000	E13
90085-HHA-900	F25	90304-M9Q-800	F05	91205-KF0-003	E10
9008A-H9A-000	E10	90304-M9Q-900	F16	91211-HMA-000	E12
90103-KN8-000	E17	90304-M9Q-900	F15	91255-L3A-000	F09
90104-H5K-000	F06	90305-M9Q-900	F10	91256-L3A-000	F09
90104-L2A-000	F07	90305-M9Q-900	F11	91301-HMA-000	E06
90105-H7A-010	F17	90306-M9Q-000	F26	91302-M9Q-000	E10
90105-KR3-000	F12	90308-X04-000	F18	91303-377-000	E10
90105-L3A-000	F08	90308-X04-000	F21	91305-HMA-000	E12
90106-H9A-000	F16	90308-X04-000	F20	91307-035-000	E10

PRICE SHOWN IS PER PIECE. PRODUCT IMAGE PRICES ARE APPROXIMATE GUIDE ONLY.
 PRICES SHOWN ARE SUBJECT TO CHANGE WITHOUT PRIOR NOTICE.

PARTS NO.	NO.	PARTS NO.	NO.	PARTS NO.	NO.
91308-HMA-000	E04	93903-35320	F19	95002-80000	E20
92101-06016-0H	E05	93903-35320	F18	95002-80000	F30
92101-06016-0H	E04	93903-35320	F01	95003-23022-60	E20
92800-12000	E17	93903-35320	F03	95701-10012-08	E17
92900-06028-0B	E03	93903-35380	F02	95801-06012-07	F16
93404-06012-07	F19	93903-35380	F13	95801-06012-07	F24
93404-06012-07	F02	93903-44380	F13	95801-06012-08	F11
93404-06012-07	F15	93903-45280	F14	95801-06012-08	F28
93404-06012-07	F23	93903-45280	F13	95801-06012-08	F22
93404-06016-07	F25	93903-45280	F25	95801-06016-08	F22
93404-06020-08	F22	93903-45380	F21	95801-06016-08	F25
93404-06035-07	F02	93903-45380	F18	95801-06022-07	F06
93404-06040-07	F30	93903-45380	F20	95801-06022-07	F07
93406-08020-07	F17	93903-HGC-000	F23	95801-06035-07	F07
93406-08025-07	F31	94030-08080	F27	95801-06040-07	F27
93406-08028-00	F31	94050-05080	F19	95801-08012-08	F28
93500-03008-1A	E16	94050-06000	E04	95801-08012-08	F25
93500-05012-0H	E18	94050-06080	F16	95801-08035-07	F12
93500-05016-0A	E15	94050-06080	F25	95801-08040-07	F29
93500-05025-0G	F05	94050-10080	E03	95801-08050-08	E17
93500-06025-0H	E16	94101-06700	F29	95801-08060-07	F31
93891-04008-08	F14	94101-08800	F16	95801-10040-08	F12
93891-04010-07	F03	94102-08800	F26	95801-10040-08	F09
93891-05008-08	F25	94103-L2A-000	F28	95801-10075-07	F11
93891-05012-07	F05	94103-L3A-000	F28	95801-12095-07	F26
93891-05016-07	E19	94109-12000	E17	96001-06010-00	E14
93891-05016-07	F30	94111-06700	F29	96001-06012-00	E18
93891-06050-07	F09	94201-25200	F26	96001-06012-00	F09
93892-05012-08	F25	94251-08400	F16	96001-06012-08	E16
93894-04022-08	F28	94301-08140	E14	96001-06012-08	E09
93894-05016-07	F19	94301-08140	E15	96001-06014-00	E01
93894-05016-07	F15	94301-08140	E09	96001-06014-00	E05
93901-35380	F19	94301-12200	E07	96001-06016-00	E01
93903-24380	F05	94510-10000	E16	96001-06016-00	E03
93903-25480	F30	94510-20000	E17	96001-06018-00	E06
93903-34320	F14	94510-25000	E13	96001-06018-07	E18
93903-34320	F02	94520-26000	E10	96001-06022-00	E14
93903-34320	F20	94520-32000	E10	96001-06022-00	E09
93903-34320	F01	94524-47000	F11	96001-06030-00	E15
93903-34320	F04	94540-07018	F16	96001-06030-00	E18
93903-34320	F03	94540-08010	E12	96001-06032-00	E14
93903-34380	F13	95002-02080	F23	96001-06035-00	E18
93903-35120	F04	95002-02080	F22	96001-06045-00	E10
93903-35280	F13	95002-40800-08	F22	96001-06050-00	E17
93903-35280	F03	95002-50000	F23	96001-06055-00	E09

PRICE SHOWN IS PER PIECE. PRODUCT IMAGE PRICES ARE APPROXIMATE GUIDE ONLY.
 PRICES SHOWN ARE SUBJECT TO CHANGE WITHOUT PRIOR NOTICE.

PARTS NO.	NO.		PARTS NO.	NO.		PARTS NO.	NO.	
96001-06070-00	E17							
96001-06090-00	E03							
96100-60000-00	E10							
96100-62040-10	E13							
96100-62070-10	E08							
96100-63020-00	E13							
96140-62013-10	E15							
96150-60060-10	E18							
96150-62050-10	E13							
96150-63033-10	F11							
96700-08020-00	F09							

PRICE SHOWN IS PER PIECE. PRODUCT IMAGE PRICES ARE APPROXIMATE GUIDE ONLY.
 PRICES SHOWN ARE SUBJECT TO CHANDE WITHOUT PRIOR NOTICE.